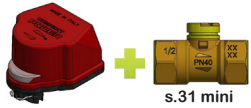


CP actuator can be supplied singularly or combined with different RuB ball valves. The pictures here below show the possible combinations.

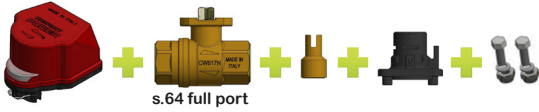
CP5xx



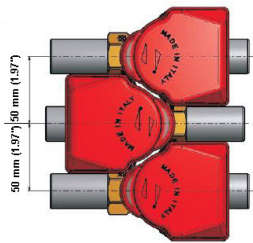
CP5xx-31xxx



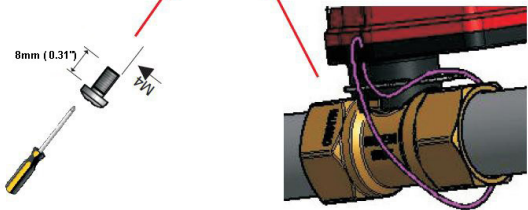
CP5xx-64xxx



CP5xx-74xxx



8mm (0.31")



POWER



VALVES & ACTUATORS



VALVES & ACTUATORS

RuB Inc.

4401 Dean Lakes Blvd. - Shakopee, MN 55379-2715 (USA)

Ph: +1 (952) 857 1114 - Fax: +1 (952) 857 1118

sales@rubinc.com - www.rubinc.com

⚠ ALL RIGHTS RESERVED - COPYRIGHT© RuB, Inc. 2022

The company reserves all rights for the information contained herein. Any undated reference to a code or standard shall be interpreted as referring to the latest edition. Products/documents may be changed at any time without notice.

⚠ WARNING: This product can expose you to chemicals including lead which is known to the state of California to cause cancer and birth defects or other reproductive harm. For more information go to www.P65Warnings.ca.gov

♻ This marking on the product or literature indicates that the product should not be disposed of with other waste at the end of their working life. To prevent possible harm to the environment or human health from uncontrolled waste disposal, please separate these items from other types of waste and recycle them responsibly to promote the sustainable reuse of material resources.

DIAGRAM FOR 2-WIRE CONTROL (24V, 110V, 230V AC)

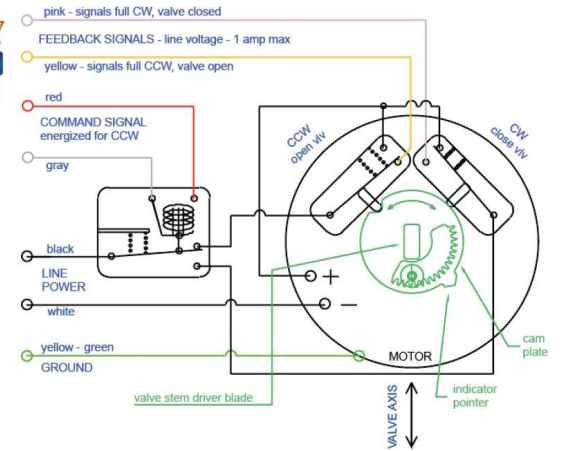


DIAGRAM FOR 2-WIRE CONTROL (24V DC)

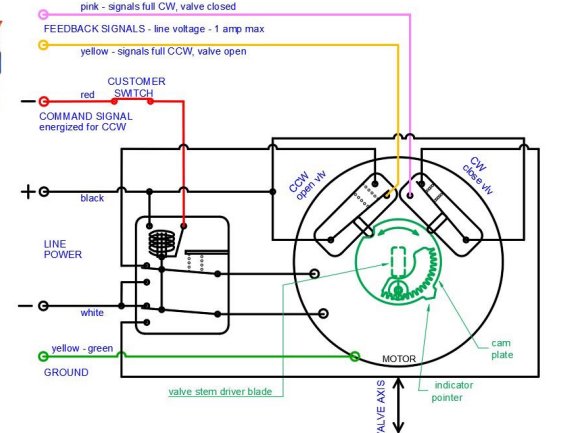
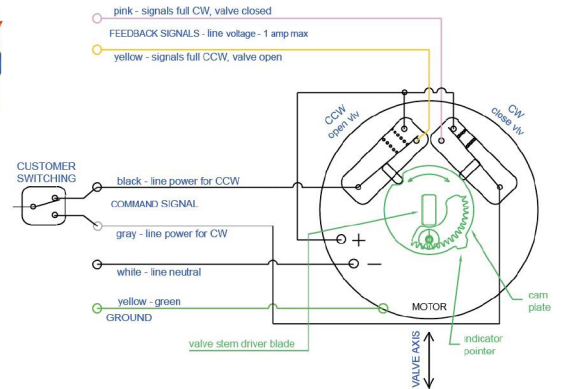
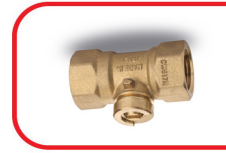
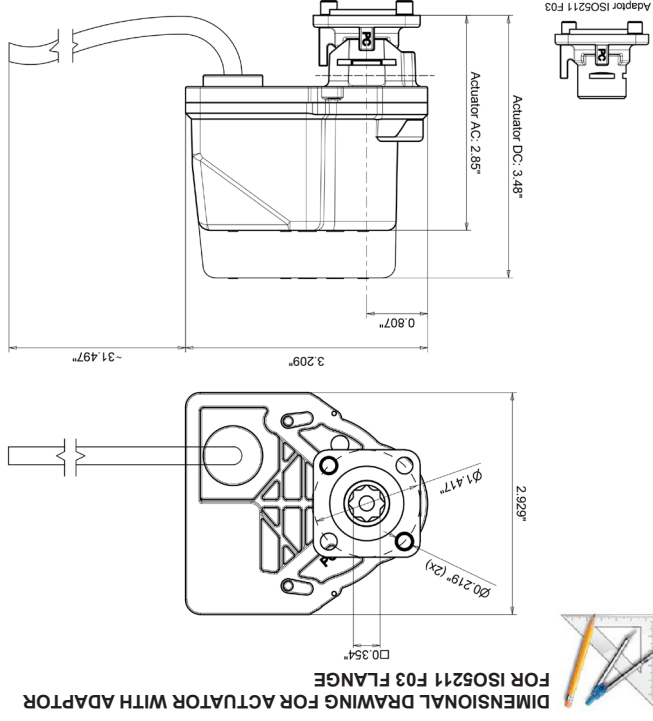
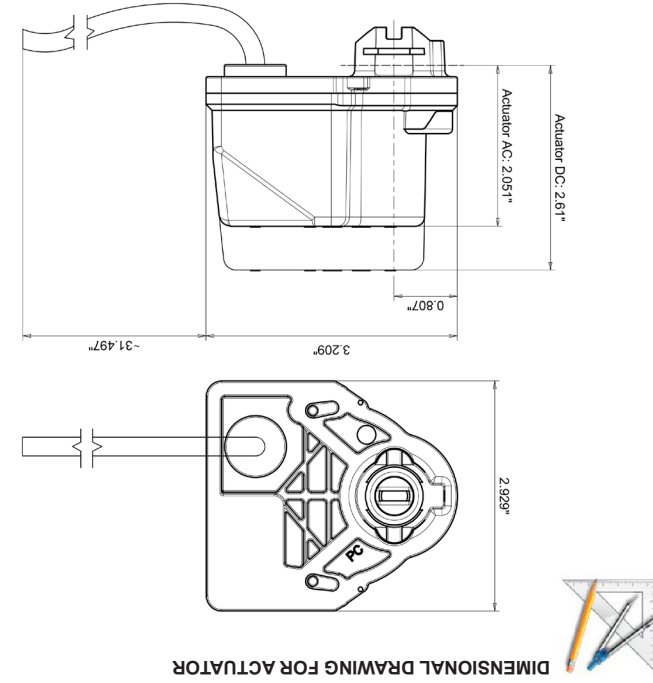
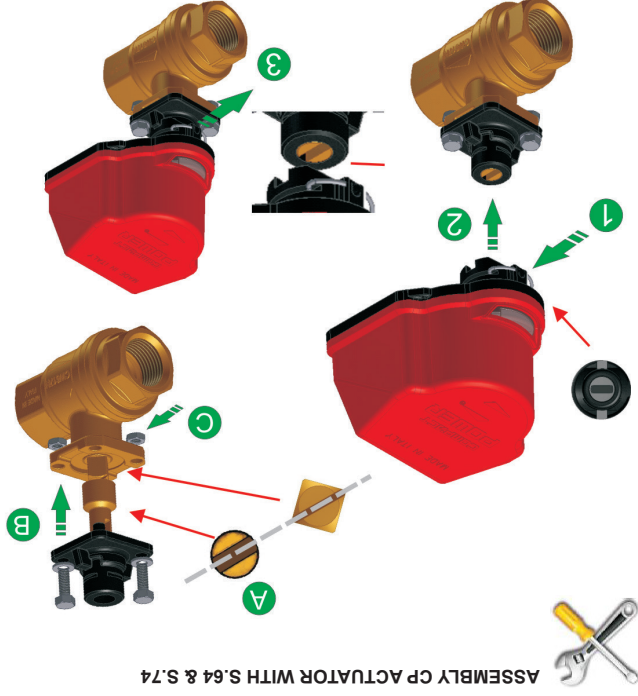
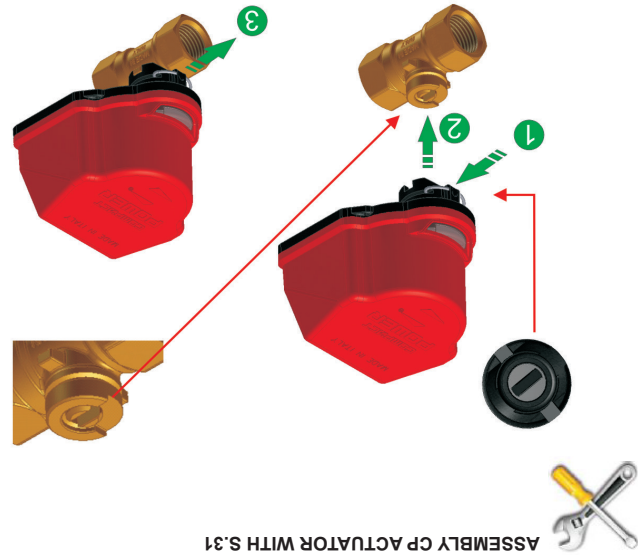


DIAGRAM FOR 3-WIRE CONTROL (24V, 110V, 230V AC)





S.31 Mini

S.64 Full port

S.74 Standard port