



# Puri-T 242

1/2" - 2"  
Lead Free  
solder ends

All surfaces of this product in contact with drinking water contain less than 0.25% of lead in compliance with U.S. law



## Quality

- Certified by CSA International to comply with U.S. s3874, California AB1953, and similar laws of other states for the safe handling of drinking water
- 24h 100% seal test guaranteed
- Dual sealing system allows valve to be operated in either direction making installation easier
- No metal-to-metal moving parts
- Handle clearly shows ball position
- Silicone-free lubricant on all seals
- Chrome plated lead free brass ball for longer life
- Handle stops on body to avoid stresses at stem

## Body

- Hot forged sand blasted, unplated lead free brass body and cap sealed with Loctite® or equivalent thread sealant

## Stem

- Pure PTFE adjustable packing gland and reinforced PTFE washer for lower torque and easy maintenance
- Blowout-proof unplated lead free brass stem

## Sealing

- Pure PTFE self-lubricating seats with flexible-lip design

## Connections

- Solder-end ANSI B16.18 female by female connections

## Flow

- Full port to DIN 3357 for maximum flow

## Handle

- Geomet® carbon steel handle with thick PVC dip coating. Handle coating offers both thermal and electrical protection
- **WARNING:** do not exceed reasonable temperature and/or electrical load

## Working pressure & temperature

- 600 PSI (for solder joints rating see table 1) non-shock cold working pressure
- For general use: -4°F / +350°F (for solder joints rating see table 1)
- NSF 61 limits (CSA approval): tested for use in continuous exposure to water of ambient temperature
- **WARNING:** freezing of the fluid in the installation may severely damage the valve

## Options

- Oval lockable handle
- Patented locking device
- Stem extension (assemble after soldering)
- T-handle
- Stubby handle

## Upon request

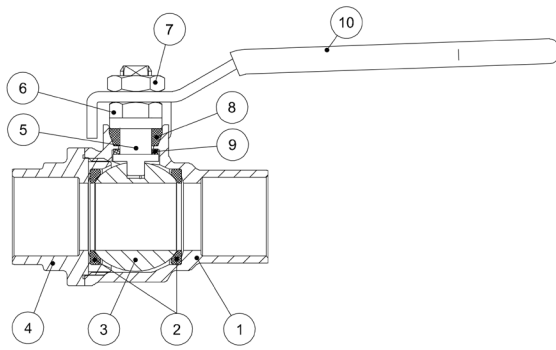
- Glass filled PTFE seals
- Stainless steel handle (1.4016 / AISI 430)
- Custom design

## Approved by or in compliance with

- GOST-R (Russia)
- Certified by CSA International for Drinking Water to NSF/ANSI 61 – NSF/ANSI 372 (United States)
- RoHS Compliant (EU)

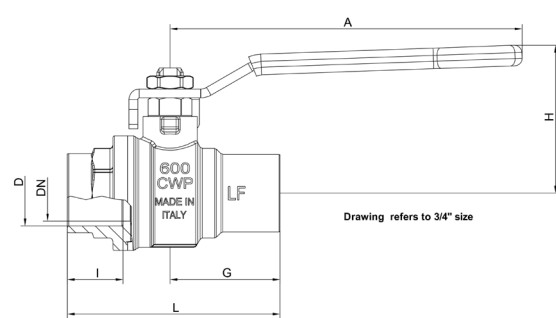
**NOTE:** approvals apply to specific configurations/sizes only.





1 1/2"-2" hollow ball

Part description	Q.ty	Material
1 Unplated solder end body	1	CW510L
2 Seat	2	PTFE
3 Chrome plated ball	1	CW510L
4 Unplated solder end-cap	1	CW510L
5 Unplated stem packing gland design	1	CW510L
6 Nickel plated gland nut	1	CW617N
7 Geomet® nut	1	CB4FF (EN10263-2)
8 Packing gland seal	1	PTFE
9 Thrust washer	1	PTFE carbon filled 25%
10 Green PVC coated Geomet® steel handle	1	DD11 (EN10111)



DN shows the nominal flow diameter. Actual flow diameter complies with full port DIN 3357 part 4.

Code	T242D00	T242E00	T242F00	T242G00	T242H00	T242I00	
D (inch)	Nominal	1/2	3/4	1	1 1/4	1 1/2	2
	actual	0.6271	0.8771	1.1279	1.3779	1.6279	2.1279
DN (inch)	0.590	0.787	0.984	1.259	1.574	1.968	
I (inch)	0.492	0.748	0.905	0.964	1.102	1.338	
L (inch)	2.244	2.854	3.346	3.819	4.488	5.433	
G (inch)	1.181	1.476	1.673	1.909	2.244	2.716	
A (inch)	3.937	4.724	4.724	6.220	6.220	6.220	
H (inch)	1.695	1.988	2.153	2.988	3.236	3.500	
Cv (GPM)	32.3	48.5	80.9	127.1	144.4	206.8	

Joining material	Melting range degrees		Working temperature degrees		Maximum working gauge pressure					
	°F	°C	°F	°C	Size 1/8" - 1"		Size 1 1/4" - 2"		Size 2 1/2" - 4"	
					PSI	kPa	PSI	kPa	PSI	kPa
50-50 tin-lead solder* ASTM B32 alloy grade 50 A	361/421	185/215	0/+100	-18/+38	200	1400	176	1200	150	1050
			0/+150	-18/+66	150	1050	125	850	100	700
			0/+200	-18/+93	100	700	90	600	75	500
			0/+250	-18/+121	85	600	75	500	50	350
95-5 tin-antimony solder ASTM B32 alloy grade 95TA	450/464	230/240	0/+100	-18/+38	500**	3500**	400**	2800**	300**	2100**
			0/+150	-18/+66	400**	2800**	350**	2400**	275**	2000**
			0/+200	-18/+93	300**	2100**	250**	1700**	200	1400
			0/+250	-18/+121	200	1400	175	1200	150	1050

**Note:**  
 Above stated limits are not imposed by the valve, but by the strength of the soldering joint according to ASME B16.22.  
 \* This alloy contains more than 0,2% lead and, according to certain specifications, cannot be used for potable water or other foods.  
 \*\* Soldered copper tube joints have been tested at 230 PSI (1600 kPa) in accordance with ISO 2016

**Pressure-temperature chart**

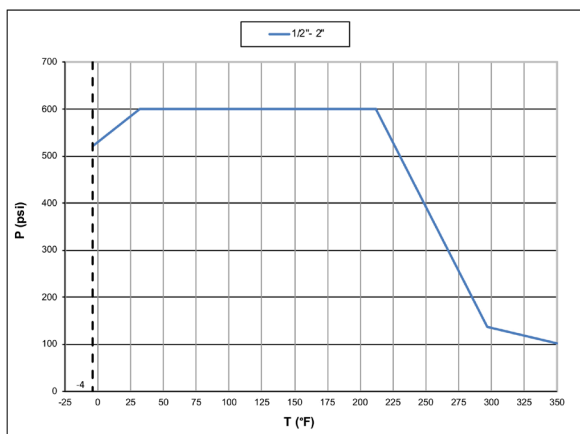
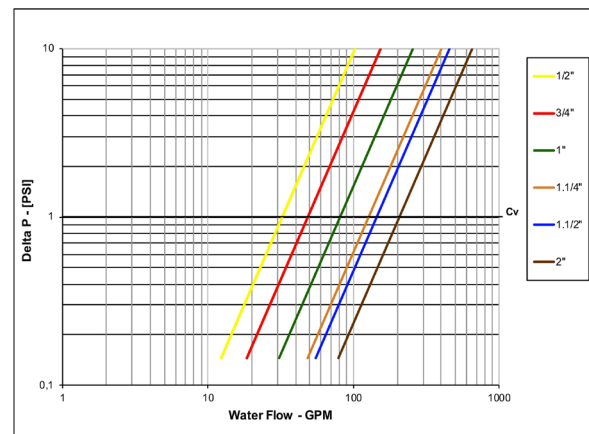


Chart applies to valve, not to solder joints for general use

**Pressure drop chart**



**WARNING:** This product can expose you to chemicals including lead which is known to the state of California to cause cancer and birth defects or other reproductive harm. For more information go to [www.P65Warnings.ca.gov](http://www.P65Warnings.ca.gov)

XCET242 - 4266