



# s.92 barrel drain

3/4" – 1"

The s.92 **RuB** brass ball valve is specifically designed to offer easy and effective drainage of storage tanks and can be installed at the bottom of your barrel or tank and operated with a simple 90° turn to allow full flow accessibility to quickly drain your water, oil, gasoline or other fluids.

Its 45° threaded elbow allows for additional pipe connection to conveniently install the drain valve in the best location and in addition the valve features a patented **RuB** tamper-proof locking handle to ensure there is no unauthorized access to the tank.

The s.92 can easily be installed on small tanks, utility tanks, overhead farm tanks, and drums as a gravity flow shut-off valve. Another good idea from **RuB!**



## Quality

- 24h 100% seal test guaranteed
- Dual sealing system allows valve to be operated in either direction making installation easier
- No metal-to-metal moving parts
- Handle clearly shows ball position
- Silicone-free lubricant on all seals
- Chrome plated brass ball for longer life
- Handle stops on body to avoid stress at stem

## Body

- Hot forged sand blasted, unplated brass body and cap sealed with Loctite® or equivalent thread sealant
- Finest brass according to EN 12165 and EN 12164 specifications

## Stem

- Blowout-proof nickel plated brass stem
- Pure PTFE adjustable packing gland and reinforced washer for lower torque and easy maintenance

## Sealing

- Glass filled pure PTFE self-lubricating seats with flexible-lip design

## Threads

- NPT taper ANSI B.1.20.1 male by female threads

## Flow

- Full port to DIN 3357 for maximum flow

## Handle

- Geomet® carbon steel lockable handle patent n. 7074-B/90 with thick PVC dip coating.

Handle coating offers both thermal and electrical protection

- Handle removable with valve in service

## Working pressure & temperature

- 600 PSI (40 bar), (150 WSP / -10 bar all sizes) non-shock cold working pressure

- \*150 psig (10 bar) non-shock steam working pressure. Not suitable for throttling steam

- -40°F to +366°F (-40°C to +170 °C)

- **WARNING:** freezing of the fluid in the installation may severely damage the valve

## Options

- T-handle
- Oval lockable handle
- Stainless steel handle (1.4016 / AISI 430)
- Stubby handle
- Non-locking Geomet® carbon steel lever handle

## Upon request

- Stainless steel ball and/or stem (1.4401 / AISI 316)
- Custom design
- Pure PTFE seals
- EN 10226-1, ISO 228 parallel female by female threads
- ISO 7/1, BS 21 BSPT taper female by female threads

## PED Directive

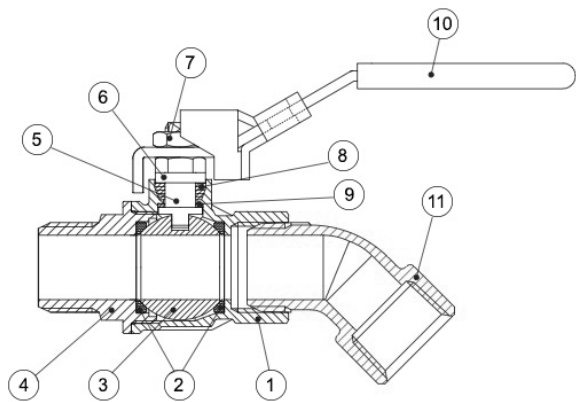
- The product meets the requirements of PED Directive 2014/68/UE and according to art.4 par.3, it does not require CE marking

## Approved by or in compliance with

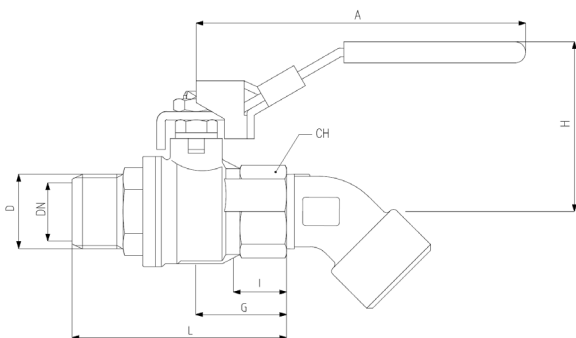
- RoHS Compliant (EU)

**NOTE:** approvals apply to specific configurations/sizes only.





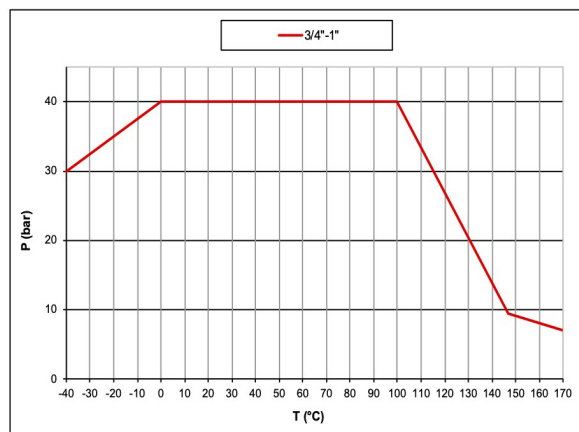
Part description	Q.ty	Material
1 Unplated NPT body	1	CW617N
2 Seat	2	PTFE glass filled 5-15%
3 Chrome plated ball	1	CW617N
4 Unplated NPT end-cap	1	CW617N
5 Nickel plated stem packing gland design	1	CW617N
6 Nickel plated gland nut	1	CW617N
7 Geomet® nut	1	CB4FF (EN10263-2)
8 Packing gland seal	1	PTFE
9 Washer	1	PTFE carbon filled 25%
10 Light blue PVC coated Geomet® steel lockable handle	1	DD11 (EN10111)
11 Elbow	1	CW617N



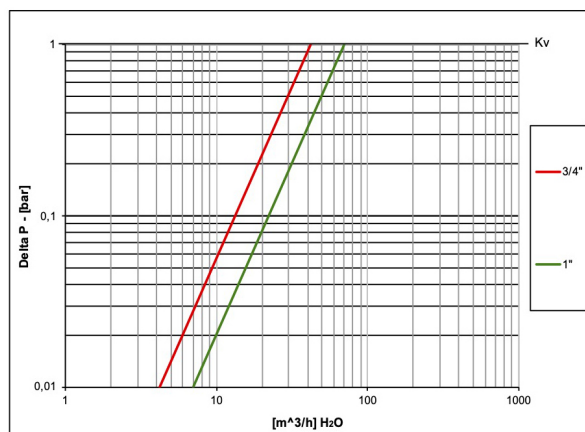
CODE	S92ES2MO	S92FS2MO
D (inch)	3/4"	1"
DN (mm)	20	25
I (mm)	17	21
L (mm)	76,5	92,4
G (mm)	32	40,5
A (mm)	117	117
H (mm)	60	64
CH (mm)	31	40
Kv (m3/h)	42	70

DN shows the nominal flow diameter. Actual flow diameter complies with full port DIN 3357 part 4.

**Pressure-temperature chart**



**Pressure drop chart**



**WARNING:** This product can expose you to chemicals including lead which is known to the state of California to cause cancer and birth defects or other reproductive harm. For more information go to [www.P65Warnings.ca.gov](http://www.P65Warnings.ca.gov)

XCES92S2