

# ACCESSORIES

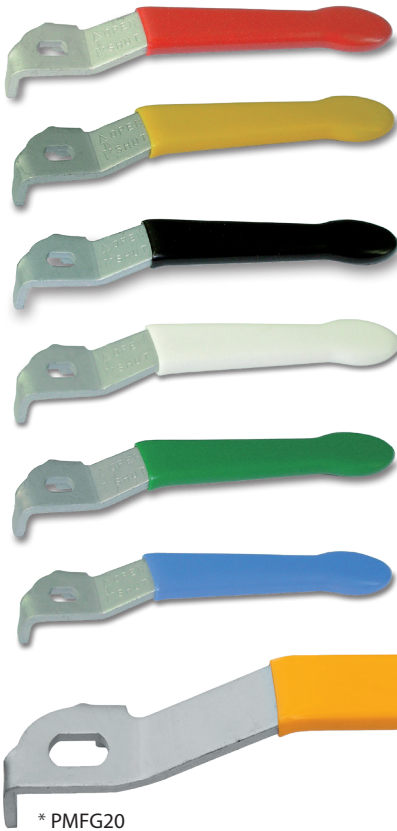




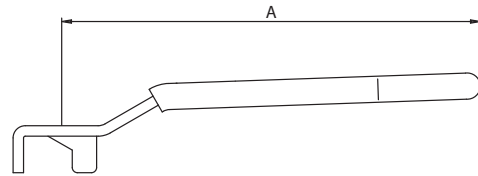
# Accessories

to forged *RuB* ball valves

## Geomet<sup>®</sup> carbon steel lever

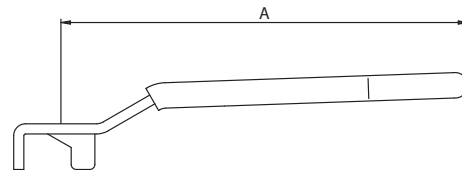
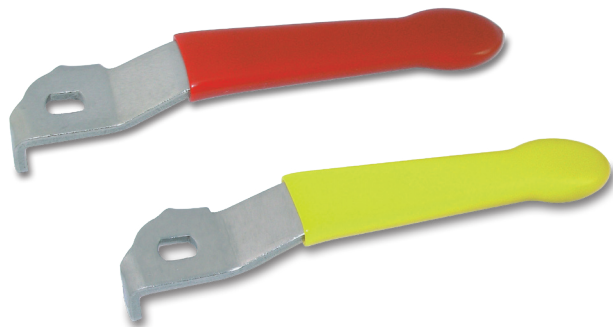


\* PMFG20



Full port	1/4"÷3/8"	1/2"	3/4÷1"	1 ¼"÷2"	2 ½÷4"
Standard port		1/2"÷3/4"	1"÷1 ¼"	1 ½"÷2 ½"	3"÷4"
A (inch)	3.23	3.94	4.72	6.22	10.03
Red Code	PLFR11	PLFR13	PLFR16	PLFR19	PMFR20
Yellow Code	PLFG11	PLFG13	PLFG16	PLFG19	PMFG20
Black Code	PLFN11	PLFN13	PLFN16	PLFN19	PMFN20
White Code	PLFW11	PLFW13	PLFW16	PLFW19	PMFW20
Light Blue Code	PLFA11	PLFA13	PLFA16	PLFA19	PMFA20
Green Code	PLFV11	PLFV13	PLFV16	PLFV19	PMFV20
Material (s)	DD11 (EN10111) + PVC				

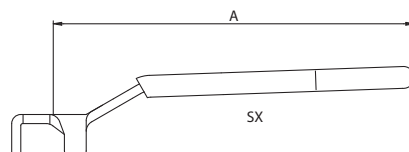
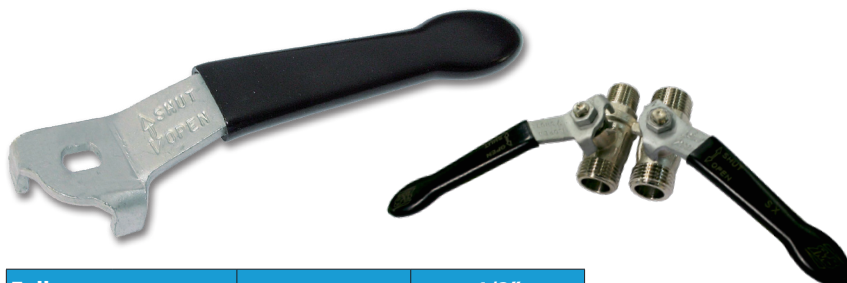
## AISI 430 stainless steel lever



Full port	1/4"÷3/8"	1/2"	3/4÷1"	1 ¼"÷2"
Standard port		1/2"÷3/4"	1"÷1 ¼"	1 ½"÷2 ½"
A (inch)	3.23	3.94	4.72	6.22
Red Code	PLAR11	PLAR13	PLAR16	PLAR19
Yellow Code	PLAG11	PLAG13	PLAG16	PLAG19
Material (s)	AISI 430 (1.4016) + PVC			



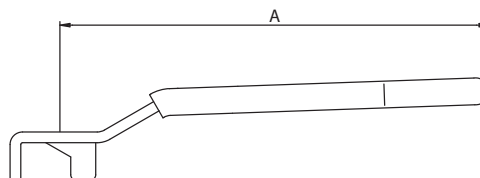
## Geomet<sup>®</sup> carbon steel left lever



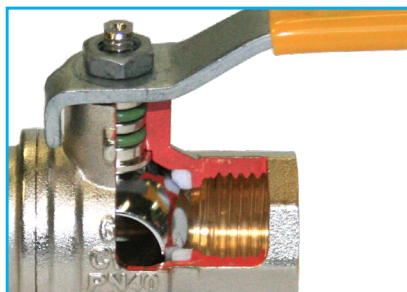
<b>Full port</b>		<b>1/2"</b>
<b>Standard port</b>	<b>1/4" ÷ 3/8"</b>	<b>1/2" ÷ 3/4"</b>
<b>A (inch)</b>	3.94	3.94
<b>Black</b>	<b>Code</b>	PLFN10
<b>Material (s)</b>	DD11 (EN10111) + PVC	

The left handles are the solution where the valves are installed on a parallel piping system.

## Geomet<sup>®</sup> carbon steel 90° reverse lever



<b>Full port</b>		<b>1/2"</b>
<b>Standard port</b>		<b>1/2" ÷ 3/4"</b>
<b>A (inch)</b>		3.94
<b>Yellow</b>	<b>Code</b>	PLIG03
<b>Light Blue</b>	<b>Code</b>	PLIA03
<b>Light Blue SX</b>	<b>Code</b>	PLIA00
<b>Material (s)</b>	DD11 (EN10111) + PVC	



We have also reverse handle: in this version the handle is parallel to the pipe when the valve is closed and perpendicular when the valve is open. This option is available on demand only in the small size for valves up to 1/2" (or 3/4" for reduced bore)

**Stem flats show actual ball position**

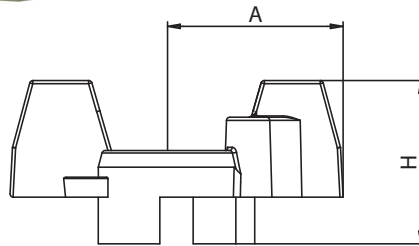
# Aluminum - brass - Geomet<sup>®</sup> carbon steel T-handle



Corrosion is a big problem that many have to face when using valves in underground or outdoor installations, especially near sea, or when valves are used in swimming pools (chlorine), trucks or fire-fighting equipment.

Most people understand that brass components performance are quite high, while the problem with a ball valve may arise from a component you would have never thought about: the aluminum T-handle.

To benefit of brass resistance to corrosion, **RuB** has developed brass T-handles.



Full port		1/2"	3/4÷1"	1 ¼÷2"
Standard port	1/4÷3/8"	1/2÷3/4"	1"÷1 ¼"	1 ½÷2 ½"
A (inch)	0.98		1.18	2.24
H (inch)	0.98		1.10	2.01
Red	Code	PFAR03	PFAR06	PFFR09
Material (s)		EN AC-46100		DD11 (EN10111) + PVC
Yellow	Code	PFAG03	PFAG06	PFFG09
Material (s)		EN AC-46100		DD11 (EN10111) + PVC
Light blue	Code	PFAB03	PFAB06	PFFA09
Material (s)		EN AC-46100		DD11 (EN10111) + PVC
Green	Code	PFAV03	PFAV06	PFFV09
Material (s)		EN AC-46100		DD11 (EN10111) + PVC
Brass unplated	Code	PFOG03	PFOG06	-
Material (s)		CW617N		-
Brass nickel plated	Code	PFON03	PFON06	-
Material (s)		CW617N		-

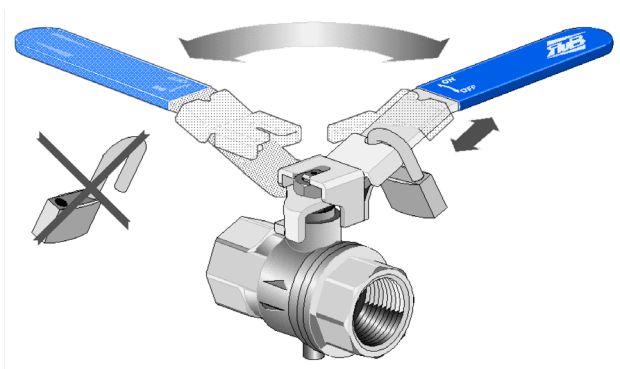


# Patented lockable handle

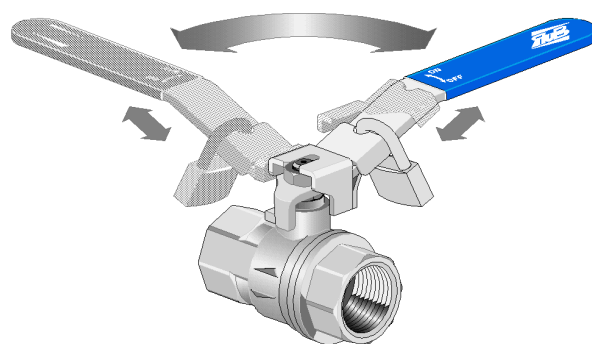
for **RuB** manual ball valves



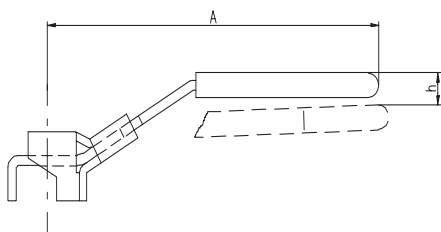
The **RuB** lockable handle is made of strong Geomet® carbon steel and designed to discourage tampering. The **RuB** locking device covers the top nut of the valve making padlock removal impossible without a key. Easy to install on valves in the field, the **RuB** lockable handle will lock s.93 **RuB** valves in closed position only in compliance with OSHA (USA) safety requirements, while other **RuB** valves can be locked in both the open and closed positions.



Lockable only in closed position when assembled on s.93 **RuB** range



Lockable in both open and closed positions when assemble on any other **RuB** range



Code	PBFA13	PBFA16	PBFA19	PBFA20
Full port	1/4" ÷ 3/8" ÷ 1/2"	3/4" ÷ 1"	1 1/4" ÷ 1 1/2" ÷ 2"	2 1/2" ÷ 3" ÷ 4"
Reduced port	1/2" ÷ 3/4"	1" ÷ 1 1/4"	1 1/2" ÷ 2" ÷ 2 1/2"	3" ÷ 4"
A (inch)	3.78	4.61	6.16	9.84
h (inch)	0.33	0.37	0.16	0.31
Material (s)	DD11 (EN10111) + PVC			

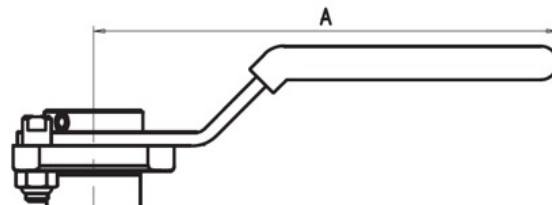
Dimension A shows handle length from center of stem; dimension h shows height of handle compared to standard handle assembled on valves. Two bottom lines show size of valve to fit wish each size of lockable handle. Use 9/32" size shackle padlock up to 2", and 5/16" over.

# Lockable handle

for 3-way ball valves series s.76 (L-port) and s.64/T.264  
with ISO5211 F03 flange

Flange Size		F03
A (inch)		4.05
Black	Code	SLFD03

Description	Material
Geomet® plated steel handle	DD11 (EN10111)
Dipped coating	PVC
Stainless steel screw	AISI 304
Zinc plated steel nut	Class 8 (UNI7474)
Unplated stop	CW617N



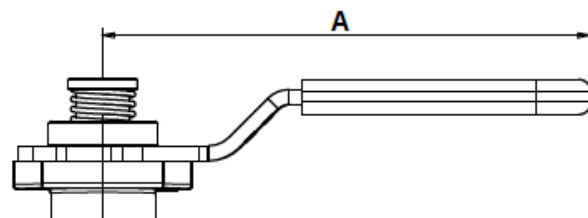
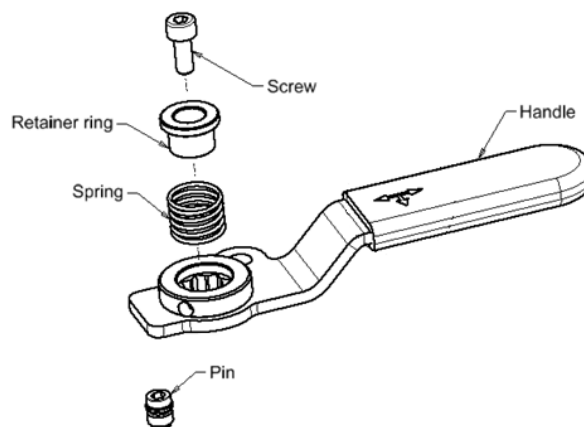
This kit easily converts an actuated valve to a manual one. To lock valve in any position, use 5/32" (4mm) shackle padlock.

# Lockable push & turn handle

for 3-way ball valves series s.73 (T-port)  
with ISO5211 F03 flange

Flange Size		F03
A (inch)		4.05
Black	Code	K73N13

Description	Material
Geomet® plated steel handle	DD11 (EN10111)
Dipped coating	PVC
Screw	AISI 304
Retainer ring	CW617N
Spring	AISI 302
Pin	CW617N



To lock valve in any position, use 5/32" (4mm) shackle padlock.



# Oval lockable handle

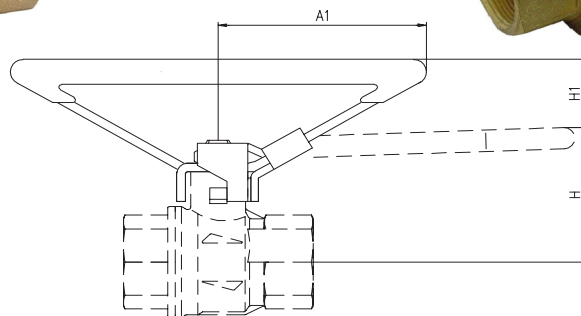
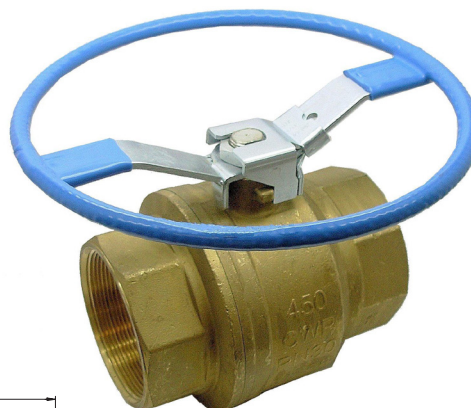
for **RuB** manual ball valves



The **RuB** oval/round lockable handle is for service where there isn't enough space for levers or T-handles, or where lever handles might be moved unintentionally.

It is made of steady carbon steel and it features the patented **RuB** lockable device.

The **RuB** oval lockable handle is available for all sizes of forged **RuB** valves up to 2" and in round shape for sizes 2 1/2" thru 4"; it is easy to install on valves in the field or you can simply order your **RuB** valves with this option.



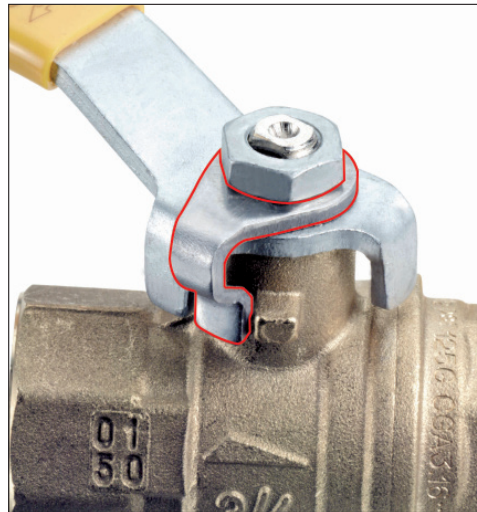
Dimension A1 shows handle dimension from centre of stem. Dimension H1 shows height of handle compared to standard handle assembled on valves.

Code	PBOA03		PBOA06	PBOA09	PBOA10
Size	1/4" ÷ 3/8"	1/2"	3/4" ÷ 1"	1 1/4" ÷ 1 1/2" ÷ 2"	2 1/2" ÷ 3" ÷ 4"
A1 (inch)	2.28		2.76		6.10
H1 (inch)	0.79	0.77	0.87	0.59	0.13
Locker shackle size	9/32"			5/16"	
Material (s)	DD11 (EN10111) + PVC				



# Memory stop

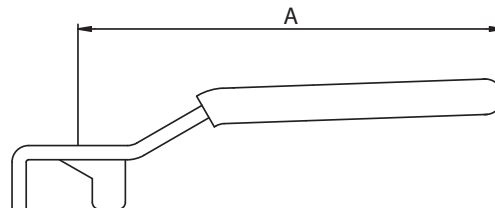
Use together with **RuB** stubby handles with knurling



Full port valve	1/4"÷3/8"	1/2"	3/4÷1"	1 1/4"÷2"
Standard port valve		1/2" ÷3/4"	1"÷1 1/4"	1 1/2"÷2 1/2"
Code	PPMA03	PPMA03	PPMA06	PPMA09
Material (s)	DD11 (EN10111)			

Memory Stop allows to control flow passing through the valve by limiting ball movement from fully closed to a preset position. Installing a memory stop on a standard **RuB** valve is very easy and can be done even while valve is being used. Memory stops should be used only with **RuB** valves with O-Ring stem design.

# Geomet® carbon steel stubby handle



Full port valve	1/4" ÷3/8"	1/2"	3/4÷1"	1 1/4"÷2"
Standard port valve		1/2" ÷3/4"	1"÷1 1/4"	1 1/2"÷2 1/2"
A (inch)		1.77	3.54	3.94
Yellow Code		PLTG13	PLTG16	PLTG19
Material (s)	DD11 (EN10111) + PVC			

**RuB** levers are not only strong, but also long for easy maneuver. To solve space constraints issues, install our stubbies.



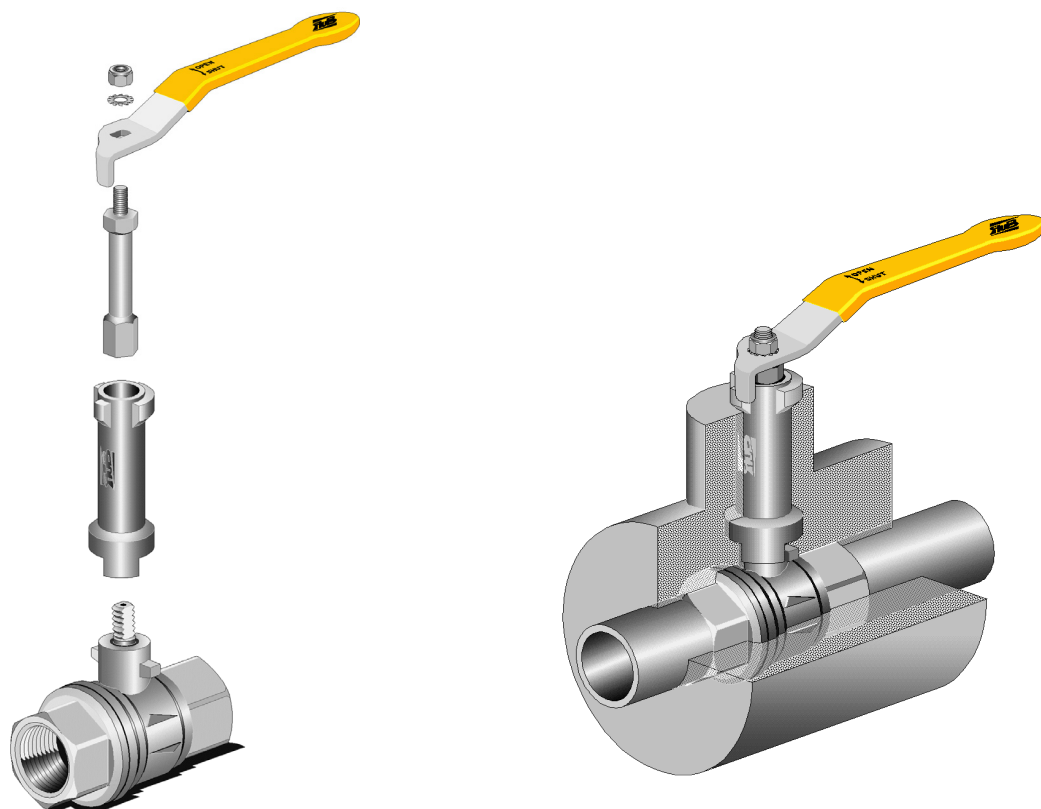
## Stem Extension

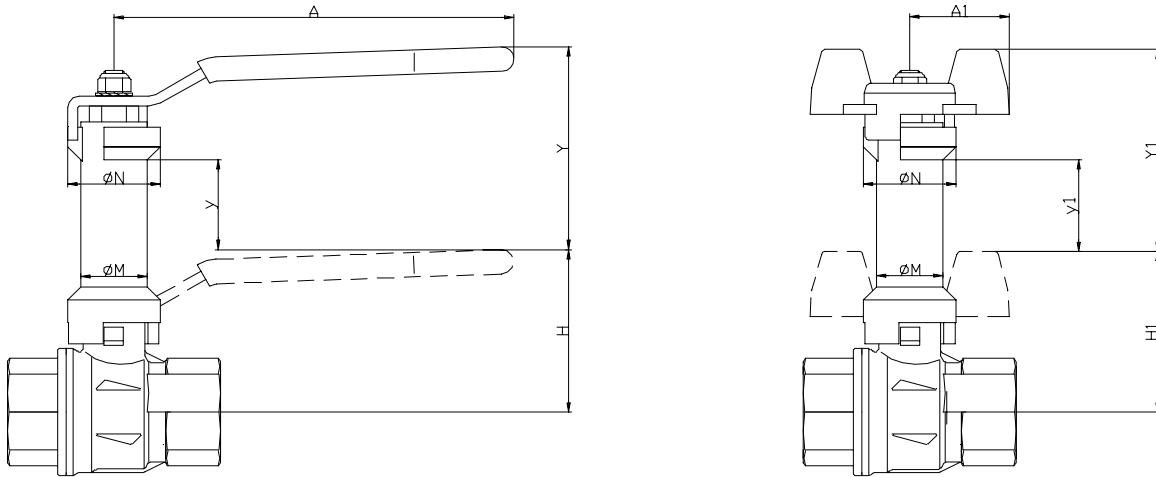
for *RuB* ball valves with O-ring stem design



Today's world is conscious of the energy savings required to maintain resources for the future. To avoid heat loss from insulated pipes, **RuB** offers stem extensions which provide easy operation over insulation.

**RuB** stem extensions are made of strong hot forged brass and are designed for low heat losses from the pipe to the ambient environment. They are easy to install on **RuB** valves even while valves are in service.

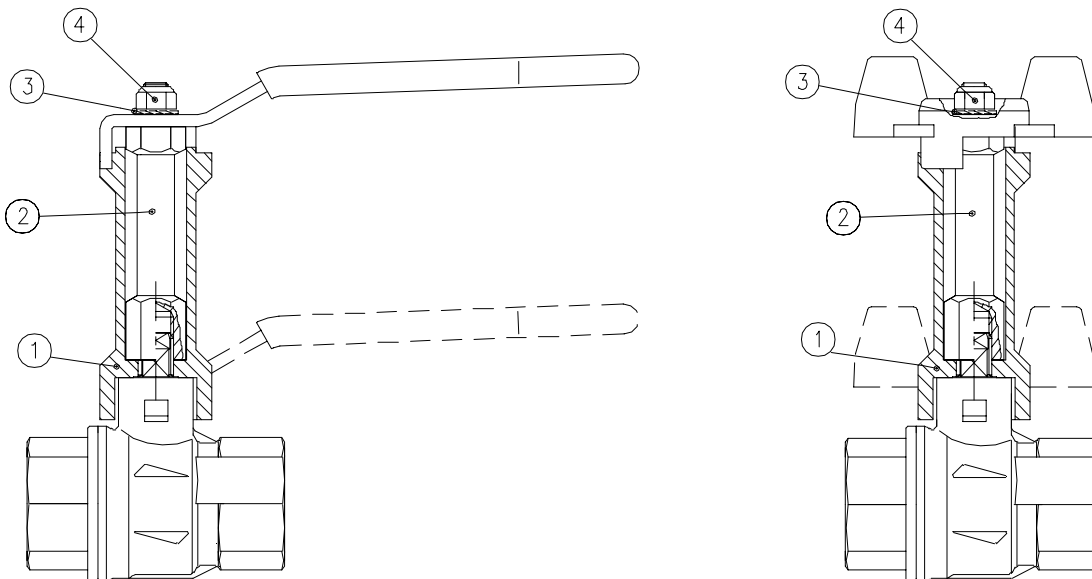




Dimensions Y, y, Y1 and y1 are additional to dimension H on the relevant valve drawing

Code	PPRO03		PPRO06	PPRO09
Full port valve	1/2"		3/4"÷1"	1 1/4"÷1 1/2"÷2"
Reduced port valve	1/4"÷3/8"	1/2"÷3/4"	1"÷1 1/4"	1 1/2"÷2"÷2 1/2"
M (inch)	0.67		0.79	1.02
N (inch)	0.98		1.10	1.42
A (inch)	3.23	3.94	4.72	6.22
Y (inch)	2.22		2.46	2.66
y (inch)	1.04		1.08	0.81
A1 (inch)	0.98		1.18	--
Y1 (inch)	2.22		2.46	--
y1 (inch)	1.00	1.02	1.20	--
Material (s)	1	CW617N		
	2			
	3	Steel		
	4			

**Note:** Stem extensions should not be used on valves with packing gland designs due to regular required maintenance adjustments.



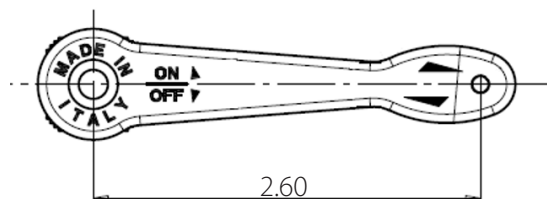
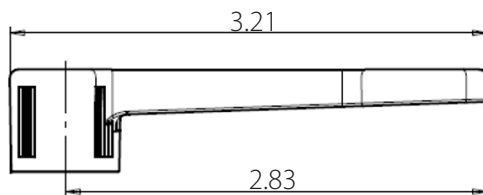


# Accessories

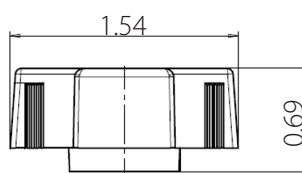
to mini and micro ball valves

## Nylon lever and T-handle

for s.34



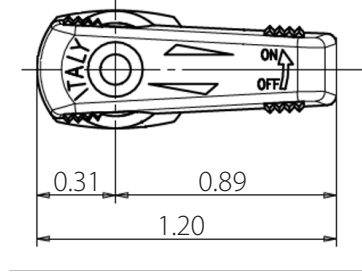
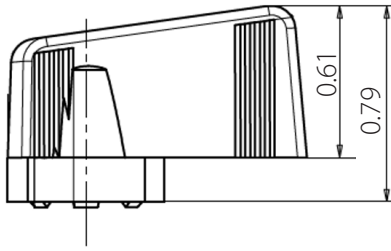
Item No	Description	Colour	Material
PLNB34	Blue nylon lever for s.34	RAL5017	Nylon glass filled 30%
PLNG34	Yellow nylon lever for s.34	RAL1028	
PLNN34	Black nylon lever for s.34	RAL9005	
PLNR34	Red nylon lever for s.34	RAL3000	



Item No	Description	Colour	Material
PFNA34	Orange nylon T-handle for s.34	RAL2009	Nylon glass filled 30%
PFNB34	Blue nylon T-handle for s.34	RAL5017	
PFNG34	Yellow nylon T-handle for s.34	RAL1028	
PFNN34	Black nylon T-handle for s.34	RAL9005	
PFNR34	Red nylon T-handle for s.34	RAL3000	

# Nylon wedge handle

for s.35



Item No	Description	Colour	Material
PLN35G	Yellow nylon wedge handle for s.35	RAL1028	Nylon glass filled 30%
PLN35N	Black nylon wedge handle for s.35	RAL9005	
PLN35R	Red nylon wedge handle for s.35	RAL3000	
PLN35V	Green nylon wedge handle for s.35	RAL6001	
PLG35N (Upon request)	Grey Grivory® wedge handle for s.35	RAL7012	Grivory®

# Metal wedge handle

for s.35

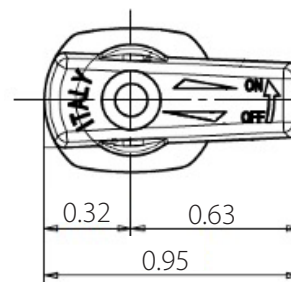
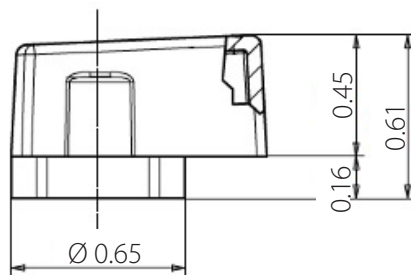


Item No	Description & Colour	Material
PLZ35G	Yellow metal handle for s.35	ZAMA Z5
PLZ35B	Blue metal handle for s.35	
PLZ35N	Black metal handle for s.35	
PLZ35R	Red metal handle for s.35	
PLZ35V	Green metal handle for s.35	
PLZ35C	Chrome metal handle for s.35	

Thanks to the metal wedge handles mounted on s35 series, it's now possible to reach working temperatures up to 120°C (250°F). The metal wedge handles are available in red, black, yellow, green, light blue and chrome plated. Same dimensions as nylon wedge handle.

# Nylon wedge handle

for s.39 micro



Item No	Description	Colour	Material
PLN39N	Black wedge handle for s.39	RAL9005	Nylon glass filled 30%

XCEACCU - 4963