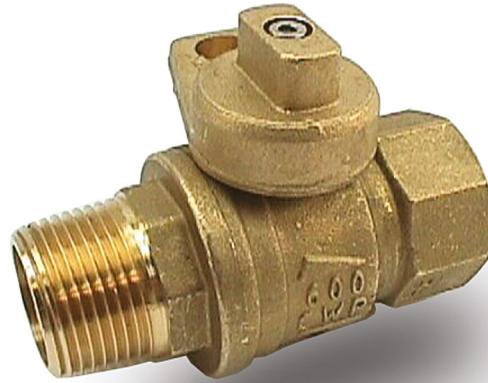




# s.8042 NPT

3/4" - 2" MIP x FIP  
with tamper proof lockwing



## Quality

- 24h 100% seal test guaranteed
- Dual sealing system allows valve to be operated in either direction making installation easier
- No metal-to-metal moving parts
- No maintenance ever required
- Cover clearly shows ball position
- Silicone-free lubricant on all seals
- Chrome plated brass ball for longer life
- Handle stops on body to avoid stress at stem

## Body

- Hot forged sand blasted, unplated brass body and cap sealed with Loctite® or equivalent thread sealant
- Special design to combine newest technologies in valve and traditional gascock requirements
- Finest brass according to EN 12165 and EN 12164 specifications

## Stem

- Blowout-proof nickel unplated brass stem
- Maintenance-free, double FPM O-rings at the stem for maximum safety

## Sealing

- Pure PTFE self-lubricating seats with flexible-lip design

## Threads

- NPT taper ANSI B.1.20.1 male by female threads

## Flow

- Full port to DIN 3357 for maximum flow

## Handle

- Hot forged brass tamper proof lockwing

## Working pressure & temperature

- 600 PSI (40 bar) non-shock cold working pressure
- 250 PSI (17 bar) non-shock working pressure for LP-Gas
- -40°F to +350°F (-40°C / +170°C)
- **WARNING:** freezing of the fluid in the installation may severely damage the valve

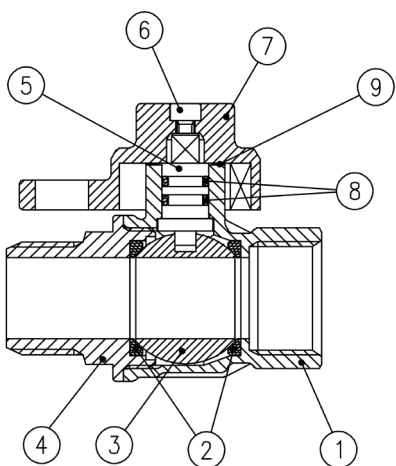
## Options

- Female by female NPT threads

## Approved by or in compliance with

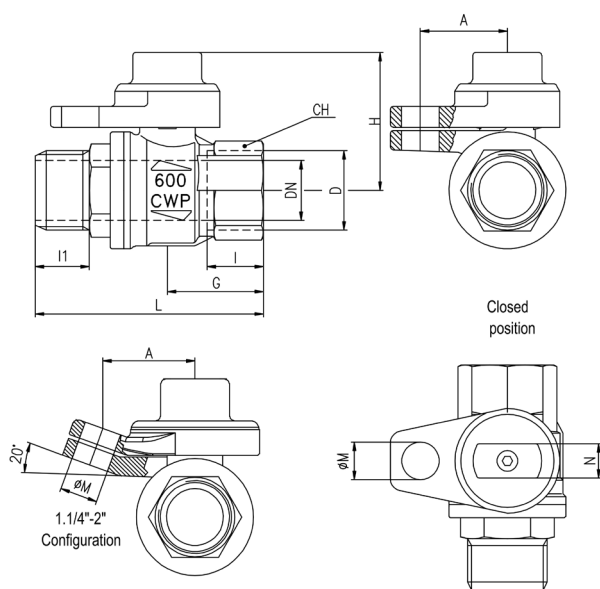
- Canadian standards Association (United States, Canada)
- GOST-R (Russia)
- RoHS Compliant (EU)
- Underwriters Laboratories (United States, Canada):
  - Guide YSDT: LP-Gas shut-off valve
  - Guide YRBX: Flammable liquid shut-off valve
  - Guide YRPV: Gas shut-off valve for use with natural and manufactured gases
  - Guide MHKZ: No. 6 oil at 250°F

**NOTE:** approvals apply to specific configurations/sizes only.



Part description	Qty	Material
1 Unplated NPT body	1	CW617N
2 Seat	2	PTFE
3 Chrome plated ball	1	CW617N
4 Unplated NPT male end-cap	1	CW617N
5 Unplated stem O-ring design	1	CW617N
6 Stainless steel screw	1	1.4301 / AISI 304
7 Unplated lockwing	1	CW617N
8 O-Ring	2	FPM
9 Washer (from 3/4" to 2")	1	PTFE glass filled 25%

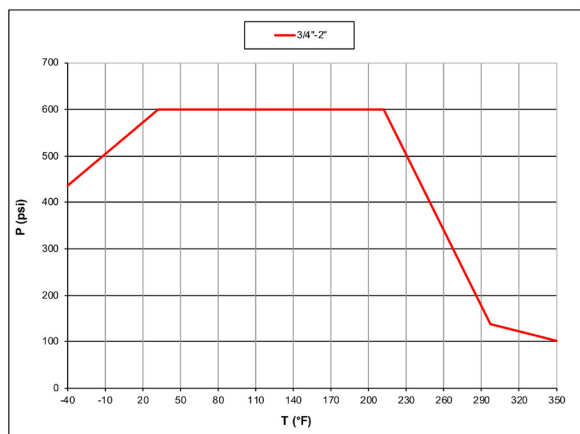
1 1/4"-2" hollow ball



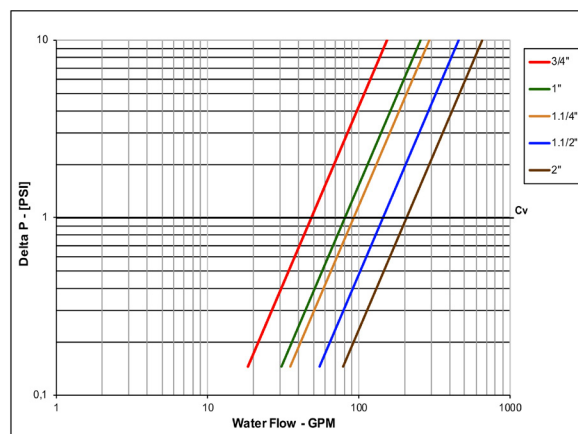
Code	S80E42	S80F42	S80G42	S80H42	S80I42
D (inch)	3/4	1	1 1/4	1 1/2	2
DN (inch)	0.787	0.984	1.259	1.574	1.968
I (inch)	0.669	0.826	0.905	0.905	1.043
I1 (inch)	0.709	0.866	0.945	0.945	1.083
L (inch)	2.992	3.642	4.173	4.449	5.236
G (inch)	1.259	1.594	1.830	2.007	2.381
A (inch)	1.142	1.142	1.208	1.208	1.208
H (inch)	1.801	1.958	2.519	2.756	3.031
M (inch)	0.492	0.492	0.472	0.472	0.472
N (inch)	0.449	0.449	0.563	0.563	0.563
CH (inch)	1.220	1.574	1.929	2.125	2.696
Cv (GPM)	48.5	80.9	92.4	144.4	206.8

DN shows the nominal flow diameter. Actual flow diameter complies with full port DIN 3357 part 4.

**Pressure-temperature chart**



**Pressure drop chart**



**WARNING:** This product can expose you to chemicals including lead which is known to the state of California to cause cancer and birth defects or other reproductive harm. For more information go to [www.P65Warnings.ca.gov](http://www.P65Warnings.ca.gov)

XCES8042 - 4314

RUB, Inc. - [www.rubinc.com](http://www.rubinc.com)