



COMPACT POWER

Electric actuator



Technical features:

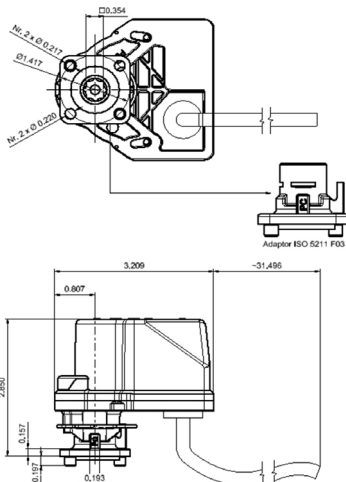
- Suitable for **RuB** actuatable valves up to 1 1/4" size (only for s.64 LT)
- Compact package to fit in restricted spaces
- Power supply variants:
 - 12 V DC, 24V DC;
 - 24V AC 50-60Hz;
 - 110-120V AC 50/60Hz;
 - 230V AC 50/60Hz;
- Motor power consumption:
 - 4W for 12 VDC and 24V DC, 6W for 230V AC, 8W for 24V AC and 110-120V AC
- Torque output up to 44 in-lb
- Operation time:
 - 5 sec for 12 V DC, 24V DC
 - 20 sec for 24V AC, 110 -120V AC and 230V AC at 50 Hz (15 sec at 60 Hz)

- Working temperature -4°F to +180°F
- Protection class IP65 comparable to NEMA 4X
- Micro-switches for open-close signals
- Micro-switches can pass up to 1A
- Reversing motor
- Direct mount on valve for perfect shaft alignment
- Positive orientation between ball valve and actuator
- Actuator easily removable for manual operating by screwdriver
- Visual position indicator
- Corrosion resistant plastic housing
- Actuator has successfully passed 100.000 cycle life tests
- Duty cycle 60%

How to order:

Model	Torque (In-lb)	Seconds 90°	Power	Electric control
CP5A2A	44	20s	230V AC	2 wires
CP5A3A	44	20s	230V AC	3 wires
CP5B2A	44	20s	110V AC	2 wires
CP5B3A	44	20s	110V AC	3 wires
CP5C2A	44	20s	24 V AC	2 wires
CP5C3A	44	20s	24 V AC	3 wires
CP5D2A	44	5s	24 V DC	2 wires
CP5E2A	44	5s	12 V DC	2 wires

Dimension Inch:



ISO 5211	L
F03	0.315 inch

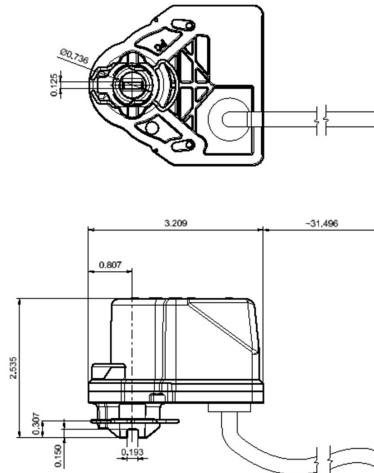
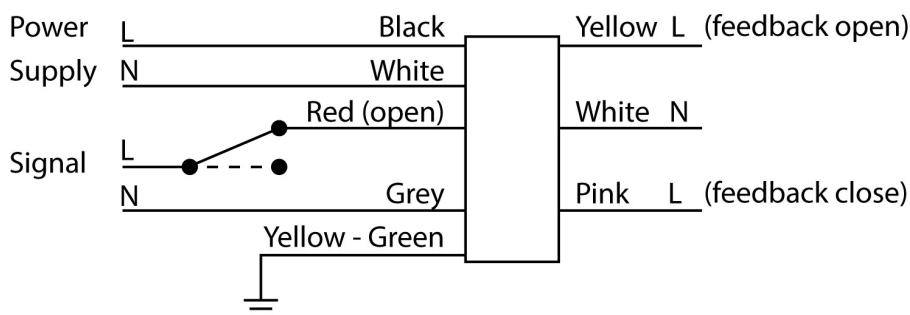


DIAGRAM FOR 2-WIRE CONTROL - VDC model

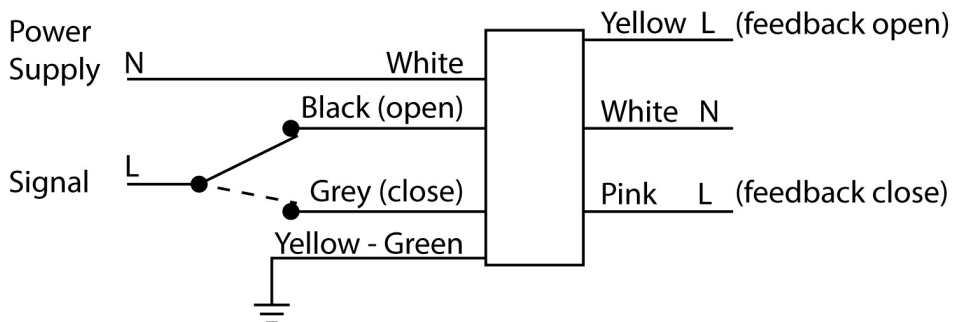


DIAGRAM FOR 2-WIRE CONTROL - VAC model



2 point command : the command is made by a simple switch or button (manually or automatically operated e.g. traditional thermostat). Closing the control switch will cause the actuator to travel to the full CCW position. Opening the control switch will cause the actuator to travel to the full CW position. If the actuator is mounted on a ball valve, closing the control switch will open the ball valve, and vice versa. Upon request, the command voltage may differ from the motor power voltage.

DIAGRAM FOR 3-WIRE CONTROL - VAC model



Note: if the limit switch signals are not to be used the yellow and pink wires must be capped to prevent accidental short circuits

3 point command: the command is made by a switch (manually or automatically operated e.g. 3 points thermostat), which diverts the voltage to the opening wire or to the closing wire reaching the actuator; the switch may be on open or on closed position; using a specific control, engine can stop in any intermediate position.

WARNING: This product can expose you to chemicals including lead which is known to the state of California to cause cancer and birth defects or other reproductive harm. For more information go to www.P65Warnings.ca.gov