



s.93 NPT downstream exhaust

1/4" - 2" with patented locking handle

Featuring patented tamper-proof lockable handle that has no equal in the market.

RuB s.93 range exhausts automatically and continuously downstream air pressure as soon as turned in the closed position.

Valve is lockable in the closed position only, according to Part. 1910.147 safety OSHA (USA) requirements allowing safe maintenance of the air-supplied equipment; when valve is open, one simple 90° turn of the handle shuts flow immediately.

We care for those you care for.



Quality

- No metal-to-metal moving parts
- No maintenance ever required
- Handle clearly shows ball position
- Silicone-free lubricant on all seals
- Chrome plated brass ball for longer life
- Handle stops on body to avoid stress at stem

Body

- Hot forged sand blasted, unplated brass body and cap sealed with Loctite® or equivalent threads sealant
- The valve body includes a tapped downstream depressurization venting outlet to direct exhaust air or assemble mufflers for noise control
- Finest brass according to EN 12165 and EN 12164 specifications

Stem

- Blowout-proof nickel plated brass stem
- Maintenance-free, double FPM O-rings at the stem for maximum safety

Sealing

- Molybdenum filled PTFE self-lubricating seats with flexible-lip design

Threads

- NPT taper ANSI B.1.20.1 female by female threads

Flow

- Full port to DIN 3357 for maximum flow

Handle

- Geomet® carbon steel lockable handle patent n. 7074-B/90 with thick PVC dip coating. Handle coating offers both thermal and electrical protection
- Handle removable with valve in service
- **WARNING:** do not exceed reasonable temperature and/or electrical load

Working pressure & temperature

- 200 PSI non-shock cold working pressure
- +15°F/ +210°F (-10°C to +100°C)
- **WARNING:** freezing of the fluid in the installation may severely damage the valve

Options

- Stainless steel handle (1.4016 / AISI 430)
- Non-locking Geomet® carbon steel lever handle
- ISO 7/1 BSPT taper threads
- EN 10226-1, ISO 228 parallel threads
- Safety pin
- Muffler, hose

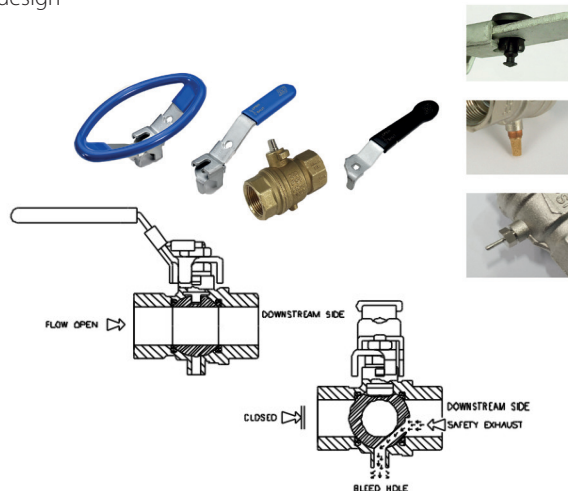
Upon request

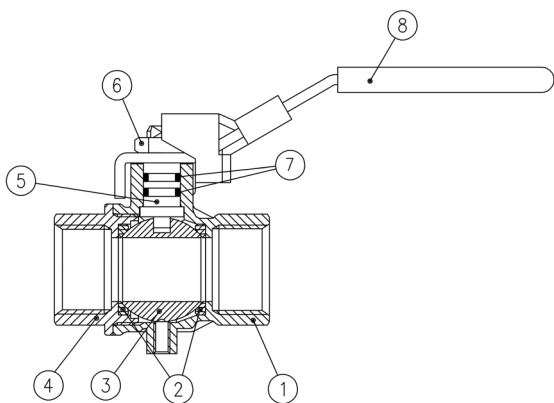
- Stainless steel ball (1.4401 / AISI 316)
- Custom design
- T-handle

Approved by or in compliance with

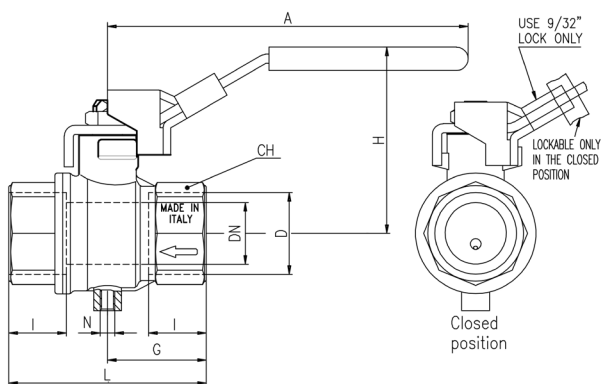
- GOST-R (Russia)
- RoHS Compliant (EU)
- OSHA Compliant (United States)

NOTE: approvals apply to specific configurations/sizes only.





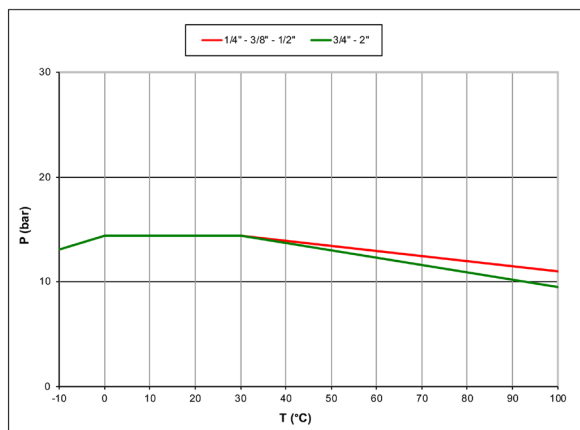
Part description	Q.ty	Material
1 Unplated body	1	CW617N
2 Seat	2	PTFE molybdenum filled
3 Chrome plated ball	1	CW617N
4 Unplated end-cap	1	CW617N
5 Nickel plated stem O-Ring design	1	CW617N
6 Geomet® nut	1	CB4FF (EN10263-2)
7 O-Ring	2	FPM
8 Light blue PVC coated Geomet® steel lockable handle	1	DD11 (EN10111)



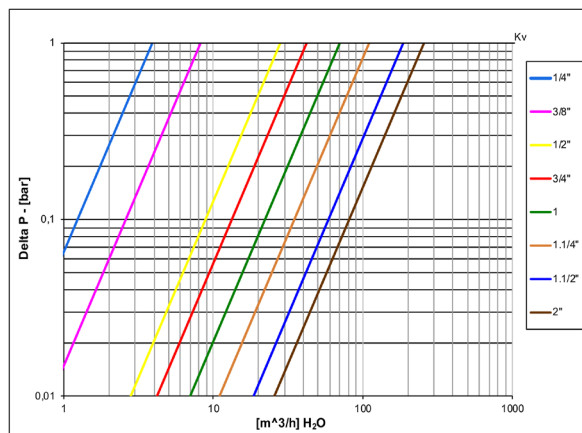
Code	S93B41	S93C41	S93D41	S93E41	S93F41	S93G41	S93H41	S93I41
D (inch)	1/4	3/8	1/2	3/4	1	1 1/4	1 1/2	2
DN (inch)	0.314	0.393	0.590	0.787	0.984	1.260	1.575	1.969
I (inch)	0.472	0.472	0.610	0.669	0.826	0.906	0.906	1.043
L (inch)	1.771	1.771	2.322	2.519	3.188	3.661	4.016	4.764
G (inch)	0.885	0.885	1.161	1.259	1.594	1.831	2.008	2.382
A (inch)	3.759	3.759	3.759	4.574	4.574	6.161	6.161	6.161
H (inch)	1.811	1.811	2.008	2.323	2.480	3.031	3.268	3.543
CH (inch)	0.669	0.787	0.984	1.220	1.574	1.929	2.126	2.697
N	10-32 UNF			1/4" NPT				
Cv (GPM)	4.5	9.5	32.3	48.5	80.9	127.1	214.9	295.8

DN shows the nominal flow diameter. Actual flow diameter complies with full port DIN 3357 part 4.

Pressure-temperature chart



Pressure drop chart



WARNING: This product can expose you to chemicals including lead which is known to the state of California to cause cancer and birth defects or other reproductive harm. For more information go to www.P65Warnings.ca.gov

XCES93N - 4711

RuB, Inc. - www.rubinc.com