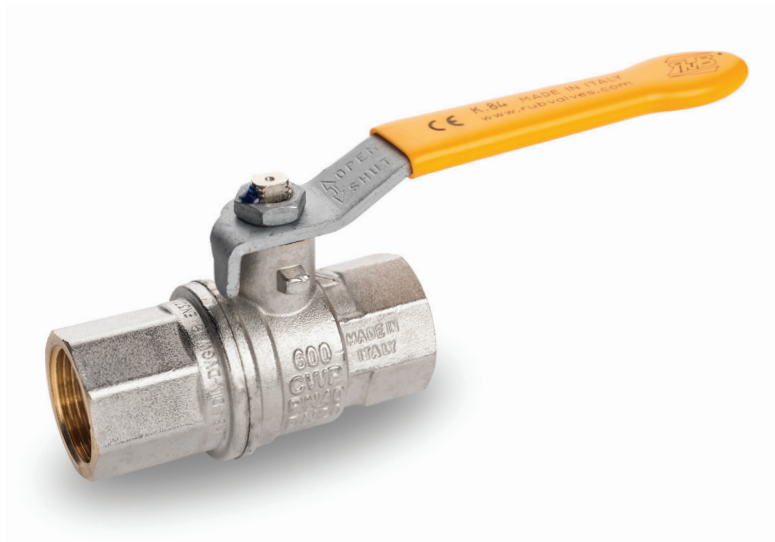




# k.84 BSPP

1/4" - 2"



## Quality

- 24h 100% seal test guaranteed
- Dual sealing system allows valve to be operated in either direction making installation easier
- No metal-to-metal moving parts
- No maintenance ever required
- Handle clearly shows ball position
- Silicone-free lubricant on all seals
- Handle stops on body to avoid stress at stem
- Chrome plated brass ball for longer life with rinse hole

## Body

- Valve length according to DIN 3202 M3 specification
- Finest brass according to EN 12165 and EN 12164 (formerly DIN 17660 and UNI 5705-65) specifications
- Hot forged sand blasted external nickel plated brass body and cap sealed with Loctite® or equivalent threads sealant

## Stem

- Blowout-proof nickel plated brass stem
- Maintenance-free, double FPM O-rings at the stem for maximum safety

## Sealing

- Pure PTFE self-lubricating seats with flexible-lip design

## Threads

- EN 10226-1, ISO 228 parallel female by female threads

## Flow

- Full port to DIN 3357 for maximum flow

## Handle

- Geomet® carbon steel handle with thick PVC dip coating. Handle coating offers both thermal and electrical protection
- Handle removable with valve in service
- **WARNING:** do not exceed reasonable temperature and/or electrical load

## Working pressure & temperature

- 40 bar (600 PSI) non-shock cold working pressure
- -40°F to +350°F (-40°C to +170°C)
- For use with dangerous fluids temperature rating is -4°F +140°F (-20°C +60°C) and pressure rating is 72psi (5 bar)
- **WARNING:** freezing of the fluid in the installation may severely damage the valve

## Options

- Stem extension
- T-handle
- Oval lockable handle
- Stainless steel handle (1.4016 / AISI 430)
- Patented locking device
- Stubby handle
- **RuB** memory stop designed to be installed with our stubby handle

## Upon request

- Stainless steel ball (1.4401 / AISI 316)
- Glass filled PTFE seals
- Custom design

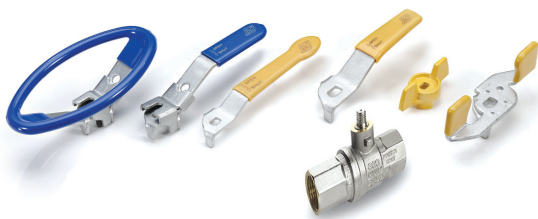
## PED directive

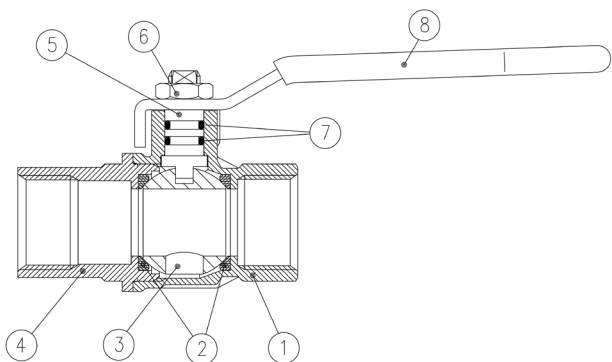
- Assessment according to Pressure Equipment Directive 2014/68/UE module B+D by ICIM (0425)

## Approved by or in compliance with

- DIN-DVGW (Germany)
- BSI Group (United Kingdom)
- GOST-R (Russia)
- RoHS Compliant (EU)

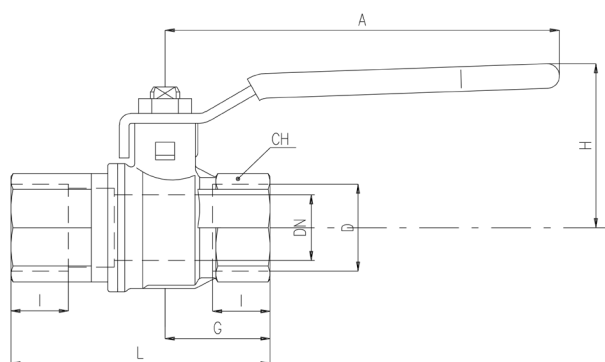
**NOTE:** approvals apply to specific configurations/sizes only.





1 1/4"-2" hollow ball

Part description	Qty	Material
1 Nickel plated body (external treatment)	1	CW617N
2 Ball seat	2	PTFE
3 Chrome plated ball with rinse hole (read rinse hole on sizes from 3/4" up to 2")	1	CW617N
4 Nickel plated end-cap (external treatment)	1	CW617N
5 Nickel plated stem O-ring design	1	CW617N
6 Geomet® nut	1	CB4FF (EN10263-2)
7 O-Ring	2	FPM
8 Yellow PVC coated Geomet® steel handle	1	DD11 (EN10111)

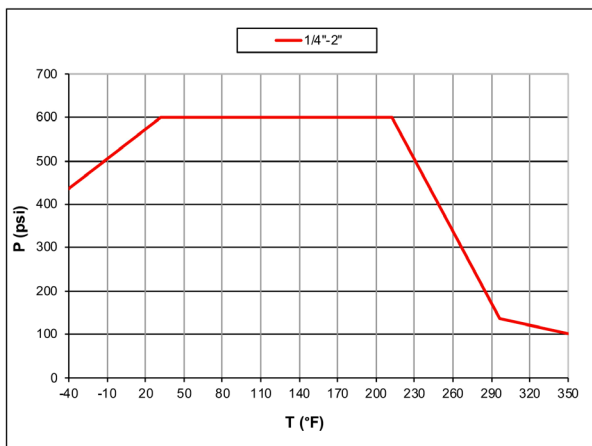


DN shows the nominal flow diameter. Actual flow diameter complies with full port DIN 3357 part 4. Ball valves are marked CE on handle from 1 1/4" to 2" as follow:  
 CE 0425 cat IIIB+D PS: 5 GAS TS1:-20°C TS2:+60°C

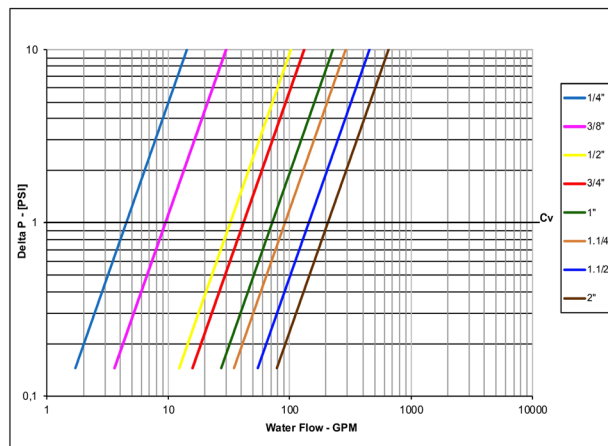
Compliant to  
 CE 2014/68/UE product  
 Equipment category III Module B+D

Code	S84B05	S84C05	S84D05	S84E05	S84F05	S84G05	S84H05	S84I05
D (inch)	1/4	3/8	1/2	3/4	1	1 1/4	1 1/2	2
DN (inch)	0.314	0.393	0.590	0.787	0.984	1.259	1.574	1.968
I (inch)	0.472	0.472	0.610	0.669	0.826	0.905	0.905	1.043
L (inch)	1.968	2.362	2.952	3.149	3.543	4.330	4.724	5.511
G (inch)	0.885	0.885	1.161	1.259	1.594	1.830	2.007	2.381
A (inch)	3.328	3.328	3.937	4.724	4.724	6.220	6.220	6.220
H (inch)	1.496	1.496	1.692	1.968	2.125	2.874	3.110	3.385
CH (inch)	0.787	0.787	0.984	1.220	1.574	1.929	2.125	2.696
Cv(GPM)	4.5	9.5	32.3	41.6	71.6	91.3	143.3	205.7

**Pressure-temperature chart**



**Pressure drop chart**



**WARNING:** This product can expose you to chemicals including lead which is known to the state of California to cause cancer and birth defects or other reproductive harm. For more information go to [www.P65Warnings.ca.gov](http://www.P65Warnings.ca.gov)

XCEK84U - 4266