



s.6439LT NPT

1" - 2"

SS trim

ISO 5211

low torque

More and more automation is required at all levels in our society and the s.64 **RuB** range is the answer to all needs for reliable actuated ball valve.

It features special seat design to automatically compensate for wear and it has successfully passed 100,000 cycle life tests.

You can purchase the valve alone or with **RuB** actuator already mounted.



Quality

- Dual sealing system allows valve to be operated in either direction making installation easier
- No metal-to-metal moving parts
- No maintenance ever required
- Silicone-free lubricant on all seals
- Stainless steel ball for longer life
- 100% seal test guaranteed in according to EN 12266-1 RATE A

Body

- Hot forged sand blasted, unplated brass body and cap sealed with Loctite® or equivalent thread sealant
- Integrated ISO 5211 and DIN 3337 mounting flange for universal connection to actuator
- Finest brass according to EN 12165 and EN 12164 specifications

Stem

- Maintenance-free, double FPM O-rings at the stem for maximum safety
- Blowout-proof stainless steel stem

Sealing

- Reinforced PTFE self-lubricating seats with flexible-lip and wear compensation design

Threads

- NPT taper ANSI B.1.20.1 female by female threads

Flow

- 100% full port for maximum flow

Handle

- Integrated sturdy ISO 5211 flange allows direct mounting of electric and pneumatic actuators, with no bracket or coupling required. See **RuB** line of electric and pneumatic actuators.

Working pressure & temperature

- Shell rating: 600 PSI
- Seat rating: Delta P max permissible 230 PSI non-shock cold working pressure
- -4°F to +350°F
- **WARNING:** freezing of the fluid in the installation may severely damage the valve

Options

- Brass trim
- k.64 configuration featuring EN 10226-1, ISO 228 parallel female by female threads, plated body, valve length according to DIN 3357 specification, pure PTFE seats
- Rack and pinion pneumatic actuator (spring return or double acting)
- Compact power electric actuator for some sizes

Upon request

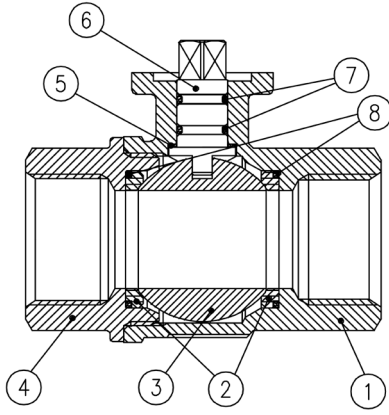
- Custom design

Approved by or in compliance with

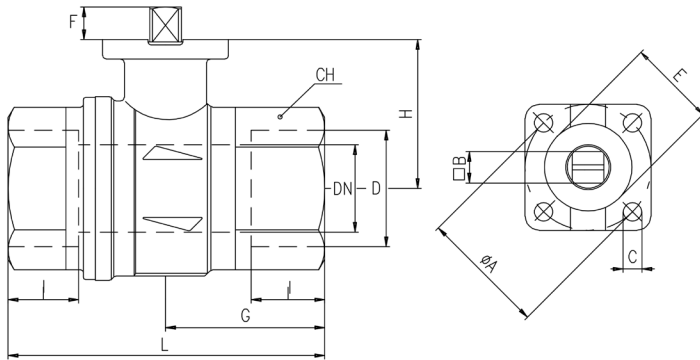
- GOST-R (Russia)
- RoHS Compliant (EU)

NOTE: approvals apply to specific configurations/sizes only.





Part description	Q.ty	Material
1 Unplated body	1	CW617N
2 Ball seat	2	PTFE carbographite filled
3 Stainless steel ball	1	1.4401 / AISI 316
4 Unplated end-cap	1	CW617N
5 Washer	1	PTFE carbon filled 25%
6 Stainless steel stem O-ring design	1	1.4401 / AISI 316
7 O-Ring	2	FPM
8 O-Ring	2	FPM



Code	S64F39A	S64G39A	S64H39A	S64I39A
D (inch)	1	1 1/4	1 1/2	2
DN(inch)	0.984	1.259	1.575	1.968
I (inch)	0.826	0.905	0.964	1.043
L (inch)	3.562	4.094	4.606	5.314
G (inch)	1.791	2.047	2.322	2.657
H (inch)	1.673	1.949	2.441	2.716
CH(inch)	1.614	1.968	2.165	2.756
ØA(inch)	1.417	1.417	1.968	1.968
□B(inch)	0.354	0.354	0.551	0.551
C (inch)	0.220	0.220	0.259	0.259
E(inch)	0.984	0.984	1.378	1.378
F(inch)	0.334	0.334	0.570	0.570
Flange connection DIN ISO 5211 DIN 3337	F03	F03	F05	F05
Cv (GPM)	115.5	179.1	283.1	335.0

Torque for actuator sizing in-lb

Delta P -->	0÷90 PSI		>90÷230 PSI	
	to open	to close	to open	to close
Valve size				
1"	19	19	31	31
1 1/4"	22	22	35	35
1 1/2"	51	51	84	84
2"	70	70	115	115

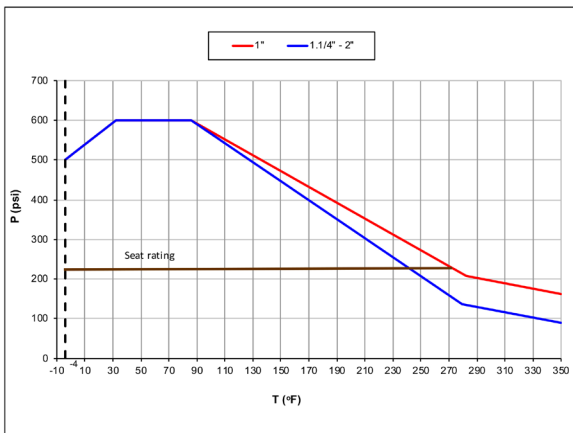
Torque correction factors

Valve torque can vary according to operating frequency, temperature and friction characteristics of the media.

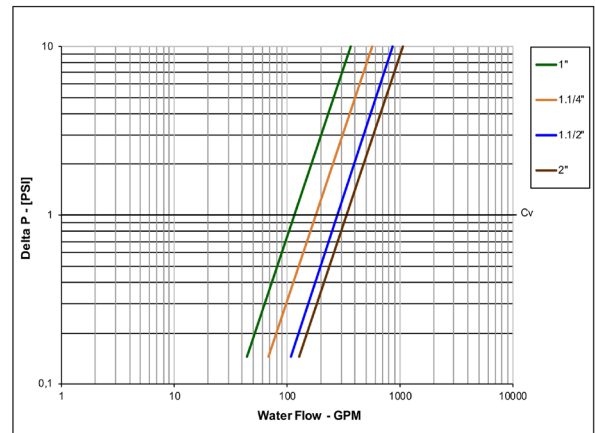
If media has more or less friction than water, multiply torque by the following factors:

- Lubricating oils or liquids 0.8
- Dry gases, natural gas 1.5
- Slurries or liquids bearing abrasive particles 1.5÷2.5

Pressure-temperature chart



Pressure drop chart



WARNING: This product can expose you to chemicals including lead which is known to the state of California to cause cancer and birth defects or other reproductive harm. For more information go to www.P65Warnings.ca.gov

XCES6439LT - 4266