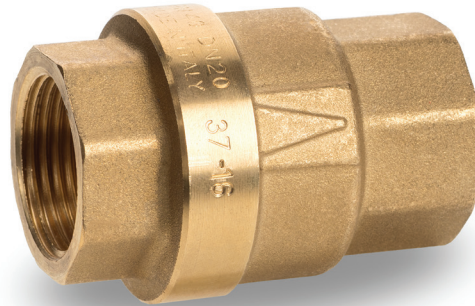




# s.123 NPT

1/4" - 1 1/4"

heavy pattern check valve



## Quality

- Suitable for domestic, industrial, pneumatic and hydraulic installations
- Performs well in any orientation
- Strong configuration suitable to most difficult applications
- Low noise
- Low water hammer
- Lowest pressure drop

## Body

- Hot forged CW617N brass body
- Perfect seal at low and high pressure, within a wide temperature range

## Sealing

- NBR sealing

## Threads

- NPT taper ANSI B.1.20.1 female by female threads

## Working pressure & temperature

- Cracking pressure: min 0.36 PSI (0.025 bar)
- Sealing pressure: min 0.72 PSI (0.05 bar)
- See nominal, non-shock cold working pressure in page 2
- -4°F to +212°F (-20°C to +100°C)
- **WARNING:** freezing of the fluid in the installation may severely damage the valve

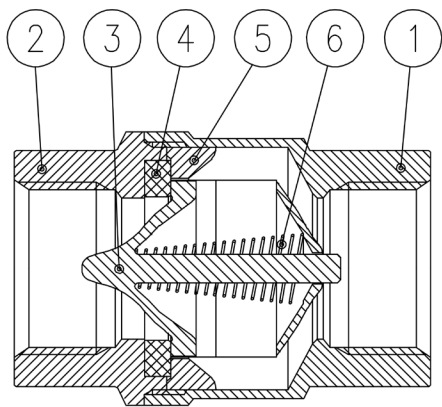
## Options

- Stainless steel filter
- ISO 228 parallel female by female threads

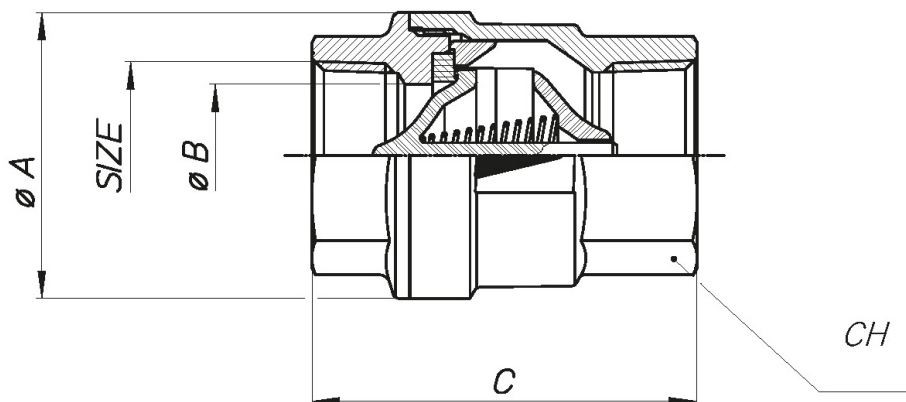
## Approved by or in compliance with

- GOST-R (Russia)
- Attestation de Conformité Sanitaire (France)

**NOTE:** approvals apply to specific configurations/sizes only.



	Part description	Q.ty	Material
1	Body	1	CW617N
2	End-cap	1	CW617N
3	Disc	1	Hostaform
4	Seat	1	NBR
5	Disc guide	1	Hostaform
6	Stainless steel spring	1	1.4325 / AISI 302



Code	123B41	123C41	123D41	123E41	123F41	123G41
Size (inch)	1/4"	3/8"	1/2"	3/4"	1"	1 1/4"
ØA (inch)	1,10	1,10	1,34	1,63	1,97	2,38
B (inch)	0,39	0,39	0,59	0,79	0,98	1,26
C (inch)	1,83	1,83	2,07	2,32	2,64	2,99
CH (inch)	0,83	0,83	1,02	1,26	1,54	1,93
PN (psi)	580	580	580	435	435	363

**WARNING:** This product can expose you to chemicals including lead which is known to the state of California to cause cancer and birth defects or other reproductive harm. For more information go to [www.P65Warnings.ca.gov](http://www.P65Warnings.ca.gov)

XCE123N - 4787

RuB, Inc. - [www.rubinc.com](http://www.rubinc.com)