



s.39 NPT forged, micro

1/8" - 1/4"
high pressure ball valve



Quality

- Dual sealing system allows valve to be operated in either direction making installation easier
- No metal-to-metal moving parts
- No maintenance ever required
- Silicone-free lubricant on all seals
- Chrome plated brass ball for longer life
- Each valve is seal tested for maximum safety
- Handle stops on body to avoid stress at stem
- Handle/stem clearly shows ball position

Body

- Hot forged sand blasted brass body
- Finest brass according to EN 12165 specification

Stem

- Blowout-proof brass stem
- Maintenance-free, double FPM O-ring at the stem for maximum safety

Sealing

- Pure PTFE self-lubricating seats with flexible-lip design

Threads

- NPT taper ANSI B.1.20.1 female by female threads

Handle

- Reinforced nylon black wedge handle
- Handle removable with valve in service
- **WARNING:** do not exceed reasonable temperature and/or electrical load

Working pressure & temperature

- 900 PSI (60 bar) non-shock cold working pressure
- -4°F to +200°F (-20°C to +90°C)
- **WARNING:** freezing of the fluid in the installation may severely damage the valve

Options

- Male by female threads
- Nylon wedge handle yellow, red or blue
- ISO 228 parallel threads

Upon request

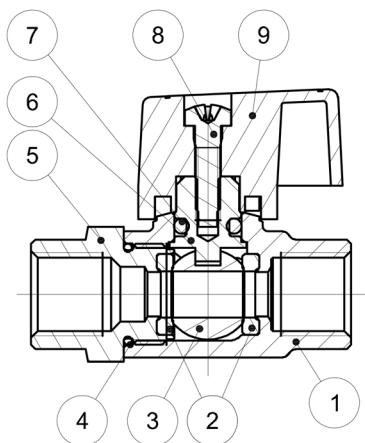
- ISO 7/1 BSPT taper threads
- Other brass alloys or aluminum
- Additional connection options

Approved by or in compliance with

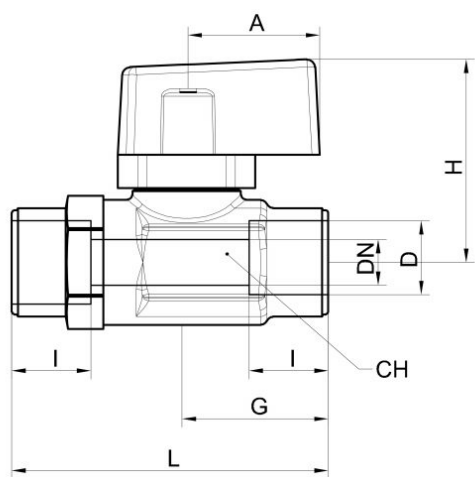
- RoHS Compliant (EU)

NOTE: approvals apply to specific configurations/sizes only.





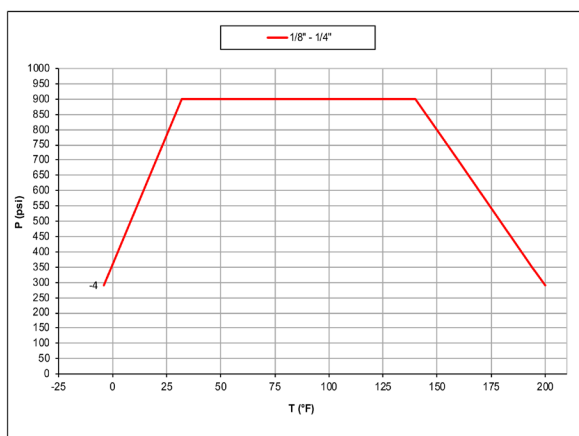
Part description	Q.ty	Material
1 Nickel plated body (external nickel plated, unplated inside)	1	CW617N
2 Ball seat	2	PTFE
3 Chrome plated ball	1	CW617N
4 O-Ring	1	HNBR
5 Nickel plated end cap (external nickel plated, unplated inside)	1	CW617
6 Unplated stem	1	CW617N
7 O-Ring	1	FPM
8 Zinc plated screw	1	C10C (EN10263-2)
9 Black handle	1	Nylon glass filled 30%



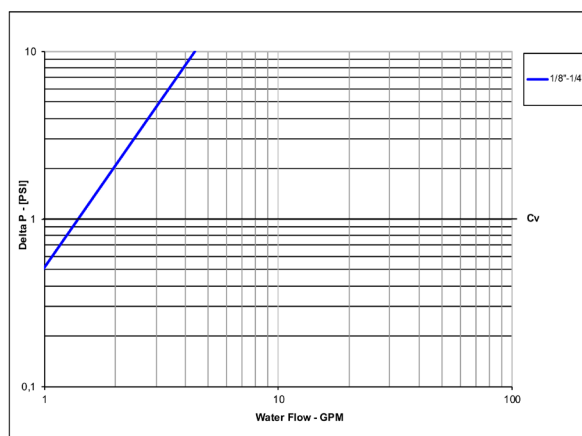
Code	S39AX0M	S39BX0M
D (inch)	1/8"	1/4"
DN (inch)	0.217	0.217
I (inch)	0.374	0.472
L (inch)	1.496	1.732
G (inch)	0.669	0.787
A (inch)	0.630	0.630
H (inch)	0.965	0.965
CH (inch)	0.591	0.591
Cv (GPM)	1.4	1.4

DN shows the nominal flow diameter.

Pressure-temperature chart



Pressure drop chart



WARNING: This product can expose you to chemicals including lead which is known to the state of California to cause cancer and birth defects or other reproductive harm. For more information go to www.P65Warnings.ca.gov

XCES39N - 4266

RuB, Inc. - www.rubinc.com