



# s.131 NPT stainless steel

1/4" - 2"  
1000 PSI  
reduced port



## Quality

- Dual sealing system allows valve to be operated in either direction making installation easier
- Handle clearly shows ball position
- Silicone-free lubricant on all seals
- Test standard API 598
- NACE compliance MR-01-75
- Handle stops on body to avoid stress at stem

## Body

- CF8M stainless steel body

## Stem

- Blowout-proof stainless steel stem

## Sealing

- PTFE seats

## Threads

- NPT taper ANSI B.1.20.1 female by female threads

## Handle

- Plastic coated stainless steel lockable handle. Handle coating offers both thermal and electrical protection

- **WARNING:** do not exceed reasonable temperature and/or electrical load

## Working pressure & temperature

- 1000 PSI non-shock cold working pressure
- 150 PSI WSP steam rating
- $2 \times 10^{-2}$  torr vacuum rating
- \*150 psig non-shock working steam pressure. Not suitable for throttling steam.
- -50°F to +400°F
- **WARNING:** freezing of the fluid in the installation may severely damage the valve

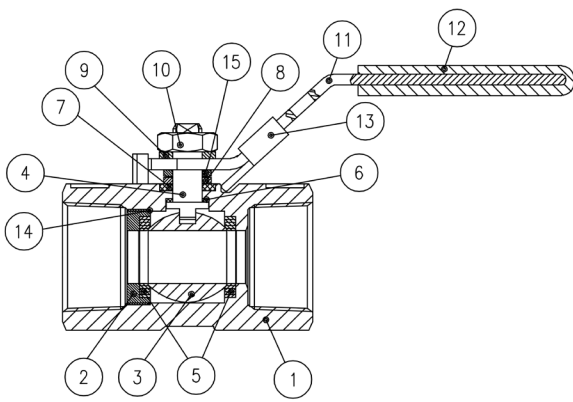
## Upon request

- \* ISO 7/1, BS 21 BSPT taper female by female threads

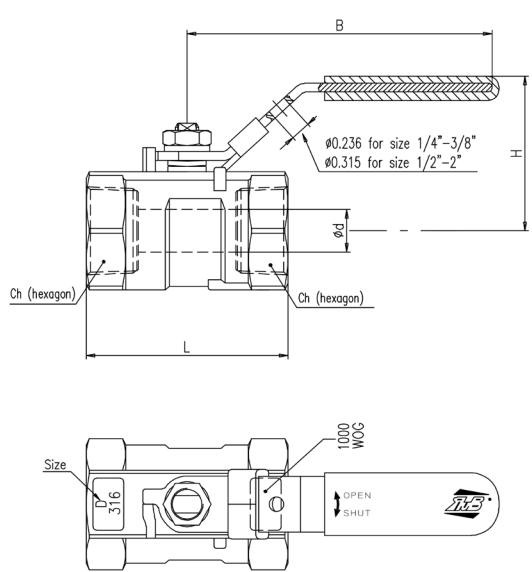
## Approved by or in compliance with

- GOST-R (Russia)

**NOTE:** approvals apply to specific configurations/sizes only.



Part description	Qty	Material
1	1	A351-CF8M
2	1	AISI316
3	1	AISI 316 or A351-CF8M
4	1	A276 Gr. 316
5	2	PTFE
6	1	PTFE
7	1	PTFE
8	1	A240 SS304
9	1	A493 SS304
10	1	A194 Gr.8
11	1	A240 SS304
12	1	Vinyl grip
13	1	A240 SS304
14	1	PTFE - Only 1 1/4"-2"
15	1	SS301

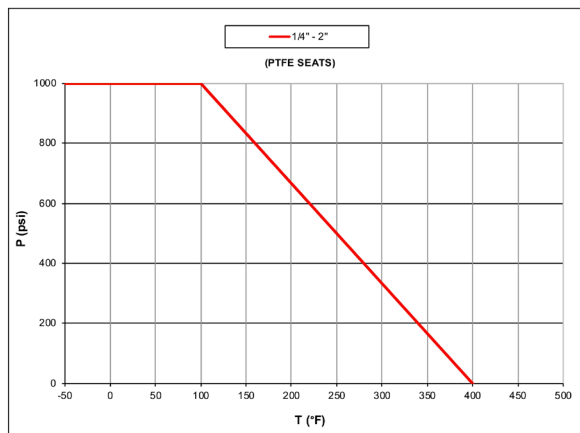


Code	131B41	131C41	131D41	131E41	131F41	131G41	131H41	131I41
D (Size)	1/4"	3/8"	1/2"	3/4"	1"	1 1/4"	1 1/2"	2"
d (inch)	0.197	0.276	0.362	0.492	0.591	0.787	0.965	1.260
L (inch)	1.535	1.732	2.205	2.323	2.795	3.110	3.268	3.937
H (inch)	1.370	1.390	1.807	1.846	1.862	2.189	2.280	2.547
B (inch)	2.756	3.110	3.661	3.622	4.409	4.409	5.315	5.315
Ch (inch)	0.669	0.827	0.984	1.260	1.496	1.929	2.087	2.559
Cv (GPM)	2.0	6.0	7.0	14.0	23.0	36.0	56.0	92.0

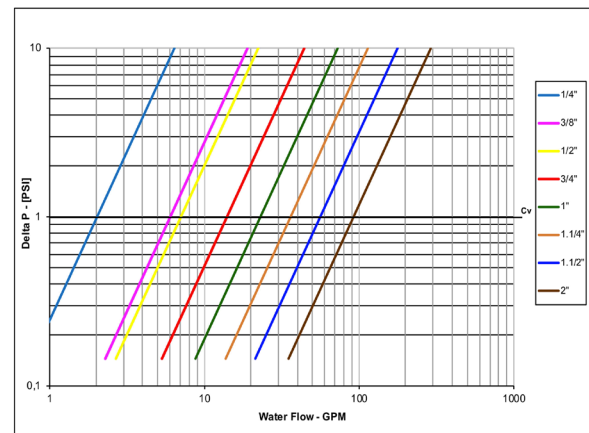
**Water flow ratings**

Size	1/4"	3/8"	1/2"	3/4"	1"	1 1/4"	1 1/2"	2"
CV	2	6	7	14	23	36	56	92

**Pressure-temperature chart**



**Pressure drop chart**



**WARNING:** This product can expose you to chemicals including lead which is known to the state of California to cause cancer and birth defects or other reproductive harm. For more information go to [www.P65Warnings.ca.gov](http://www.P65Warnings.ca.gov)

XCE131 - 4912

RuB, Inc. - [www.rubinc.com](http://www.rubinc.com)