



s.134 NPT stainless steel

1/2" - 2"
ISO 5211



Quality

- Dual sealing system allows valve to be operated in either direction making installation easier
- Silicone-free lubricant on all seals
- NACE compliance MR-01-75

Body

- Designed and tested for ANSI B16.34
- CF8M stainless steel housing

Stem

- Blowout-proof stem

Sealing

- Reinforced PTFE seats

Threads

- NPT taper ANSI B.1.20.1 female by female threads

Flow

- 100% full port for maximum flow

Handle

- AISI 316 stainless trim
- Convertible for manual or actuated operation
- ISO 5211 actuator mounting pad allows direct mounting of **RuB** electric and pneumatic actuators, with no bracket or coupling required.

Working pressure & temperature

- 1000 PSI cold working pressure
- 150 PSI WSP steam rating
- 2×10^{-2} torr vacuum rating
- *150 psig non-shock working steam pressure. Not suitable for throttling steam.
- -50°F to +450°F (-45°C to +232 °C)
- **WARNING:** freezing of the fluid in the installation may severely damage the valve

Options

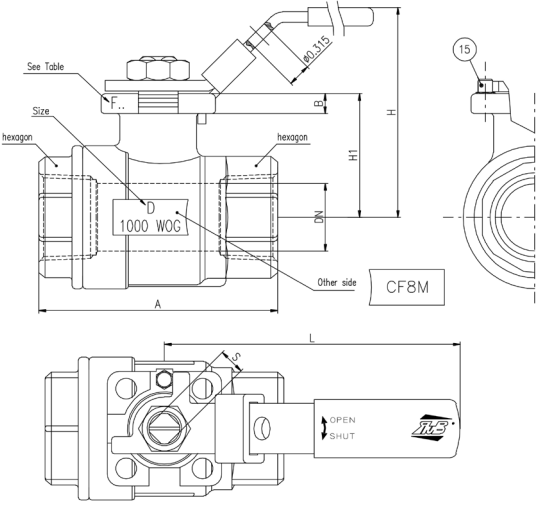
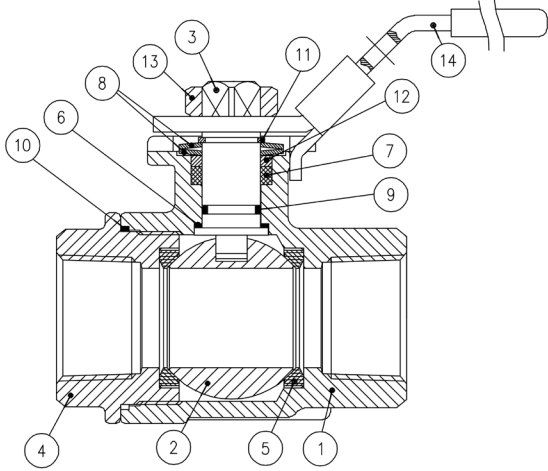
- Stainless steel lockable handle

Approved by or in compliance with

- GOST-R (Russia)

NOTE: approvals apply to specific configurations/sizes only.





Part description	Q.ty	Material
1	1	A351-CF8M
2	1	A351-CF8M
3	1	1.4401/AISI 316
4	1	A351-CF8M
5	2	RTFE
6	1	RTFE
7		TFE
8	2	SK5
9	1	FPM
10	1	RTFE
11	1	1.4301/AISI 304
12	1	1.4401/AISI316
13	1	1.4301/AISI 304
14	1	A240 SS304
15	1	1.4301/AISI 304

Code	134D41	134E41	134F41	134G41	134H41	134I41
D (Size)	1/2"	3/4"	1"	1 1/4"	1 1/2"	2"
DN (inch)	0.56	0.81	1	1.25	1.5	1.97
H1 (inch)	1.40	1.56	1.84	2	2.3	2.8
A (inch)	2.60	2.99	3.54	3.94	4.41	5
B (inch)	0.185	0.185	0.185	0.197	0.197	0.276
S (inch)	0.35	0.35	0.43	0.43	0.43	0.55
F.. (ISO 5211)	F03	F03	F04/F05	F04/F05	F04/F05	F07
Cv (GPM)	20.0	42.0	65.0	101.0	145.0	250.0

Code	134D41L*	134E41L*	134F41L*	134G41L*	134H41L*	134I41L*
L (inch)	4.40	4.40	5.87	5.87	5.87	7.5
H (inch)	2.50	2.66	3.14	3.3	3.6	4.5

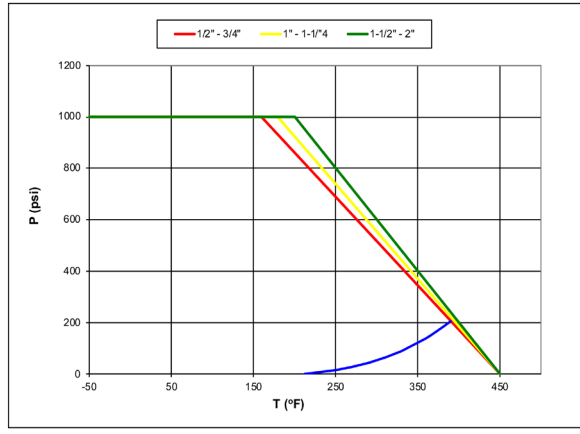
Torque for actuator sizing in-lb

Delta P →	0-200 PSI	
	To open	To close
Valve size		
1/2"	49	41
3/4"	78	59
1"	123	66
1.1/4"	156	109
1.1/2"	250	144
2"	317	211

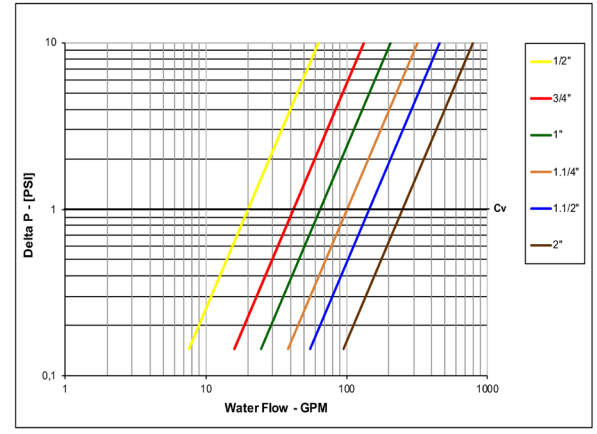
Water flow ratings

Size	1/2"	3/4"	1"	1.1/4"	1.1/2"	2"
CV	20	42	65	101	145	250

Pressure-temperature chart



Pressure drop chart



WARNING: This product can expose you to chemicals including lead which is known to the state of California to cause cancer and birth defects or other reproductive harm. For more information go to www.P65Warnings.ca.gov