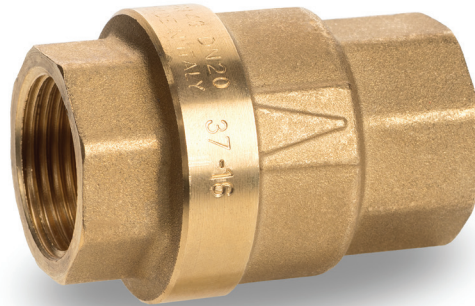




s.123 NPT

1/4" - 1 1/4"

heavy pattern check valve



Quality

- Suitable for domestic, industrial, pneumatic and hydraulic installations
- Performs well in any orientation
- Strong configuration suitable to most difficult applications
- Low noise
- Low water hammer
- Lowest pressure drop

Body

- Hot forged CW617N brass body
- Perfect seal at low and high pressure, within a wide temperature range

Sealing

- NBR sealing

Threads

- NPT taper ANSI B.1.20.1 female by female threads

Working pressure & temperature

- Cracking pressure: min 0.36 PSI (0.025 bar)
- Sealing pressure: min 0.72 PSI (0.05 bar)
- See nominal, non-shock cold working pressure in page 2
- -4°F to +212°F (-20°C to +100°C)
- **WARNING:** freezing of the fluid in the installation may severely damage the valve

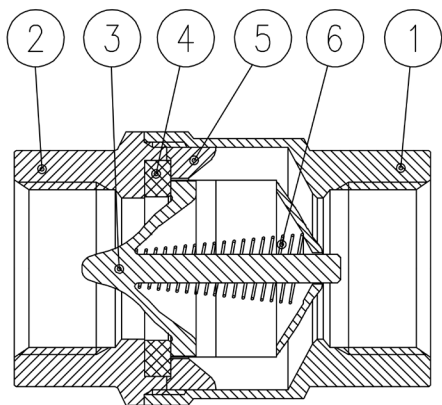
Options

- Stainless steel filter
- ISO 228 parallel female by female threads

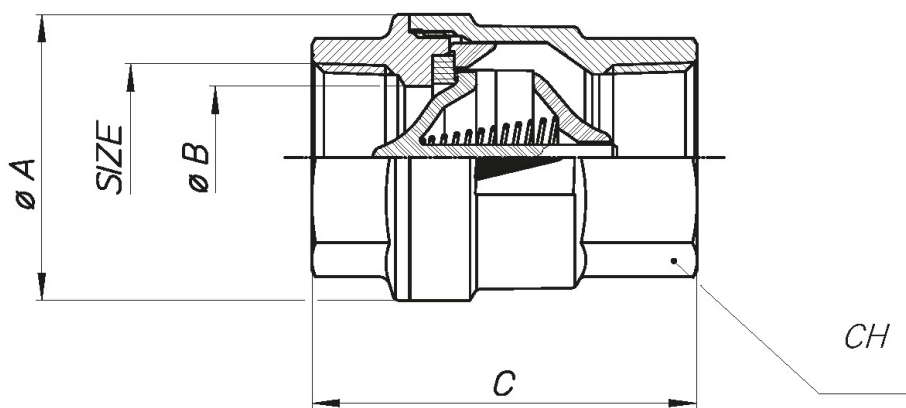
Approved by or in compliance with

- GOST-R (Russia)
- Attestation de Conformité Sanitaire (France)

NOTE: approvals apply to specific configurations/sizes only.

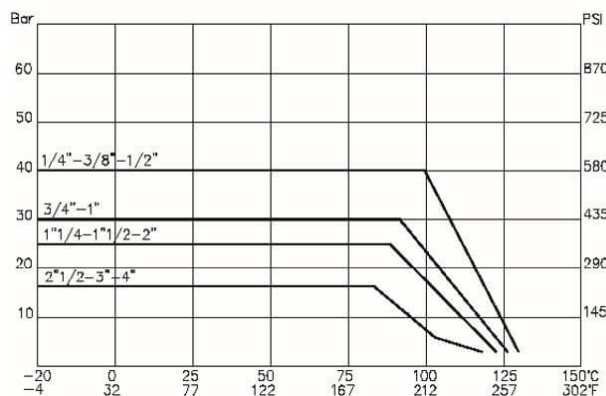


	Part description	Q.ty	Material
1	Body	1	CW617N
2	End-cap	1	CW617N
3	Disc	1	Hostaform
4	Seat	1	NBR
5	Disc guide	1	Hostaform
6	Stainless steel spring	1	1.4325 / AISI 302

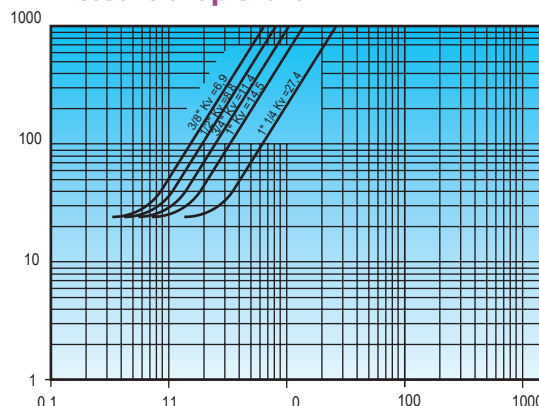


Code	123B41	123C41	123D41	123E41	123F41	123G41
Size (inch)	1/4"	3/8"	1/2"	3/4"	1"	1 1/4"
ØA (inch)	1,10	1,10	1,34	1,63	1,97	2,38
B (inch)	0,39	0,39	0,59	0,79	0,98	1,26
C (inch)	1,83	1,83	2,07	2,32	2,64	2,99
CH (inch)	0,83	0,83	1,02	1,26	1,54	1,93
PN (psi)	580	580	580	435	435	363

Pressure-temperature chart



Pressure drop chart



WARNING: This product can expose you to chemicals including lead which is known to the state of California to cause cancer and birth defects or other reproductive harm. For more information go to www.P65Warnings.ca.gov

XCE123N - 5043

RuB, Inc. - www.rubinc.com