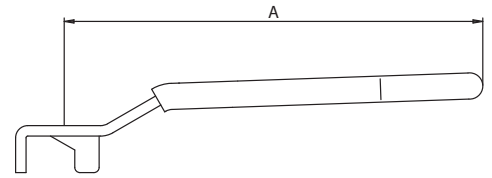




# Geomet® carbon steel lever



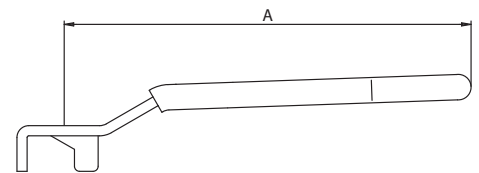
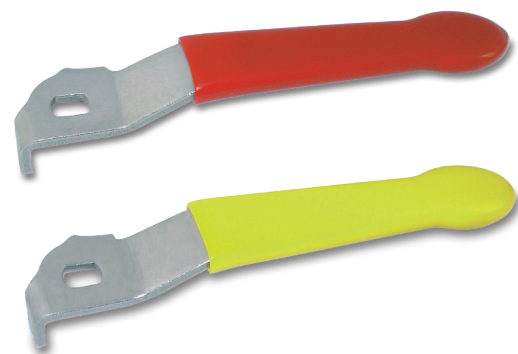
Full port		1/4"÷3/8"	1/2"	3/4"÷1"	1 1/4"÷2"	2 1/2"÷4"
Standard port		1/4"÷3/8"	1/2"÷3/4"	1"÷1 1/4"	1 1/2"÷2 1/2"	3"÷4"
<b>A (inch)</b>		3.23	3.94	4.72	6.22	10.03
<b>Red</b>	Code	PLFR11	PLFR13	PLFR16	PLFR19	PMFR20
<b>Yellow</b>	Code	PLFG11	PLFG13	PLFG16	PLFG19	PMFG20
<b>Black</b>	Code	PLFN11	PLFN13	PLFN16	PLFN19	PMFN20
<b>White</b>	Code	PLFW11	PLFW13	PLFW16	PLFW19	PMFW20
<b>Light Blue</b>	Code	PLFA11	PLFA13	PLFA16	PLFA19	PMFA20
<b>Green</b>	Code	PLFV11	PLFV13	PLFV16	PLFV19	PMFV20



Part description		Q.ty	Material
1	Geomet plated steel handle	1	DD11 (EN10111)
2	Dipped coating	1	PVC

\* PMFG20

# AISI 430 stainless steel lever

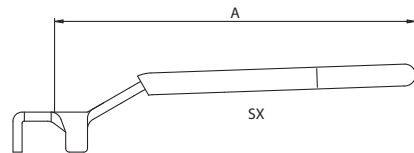


Full port		1/4"÷3/8"	1/2"	3/4"÷1"	1 1/4"÷2"
Standard port		1/4"÷3/8"	1/2"÷3/4"	1"÷1 1/4"	1 1/2"÷2 1/2"
<b>A (inch)</b>		3.23	3.94	4.72	6.22
<b>Red</b>	Code	PLAR11	PLAR13	PLAR16	PLAR19
<b>Yellow</b>	Code	PLAG11	PLAG13	PLAG16	PLAG19

Part description		Q.ty	Material
1	Stainless steel handle	1	AISI 430
2	Dipped coating	1	PVC



# Geomet® carbon steel left lever

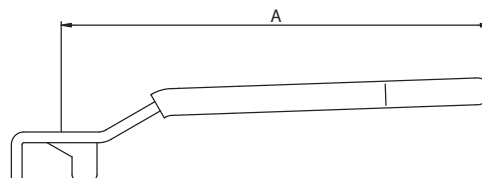


Description	Q.ty	Material
Geomet® plated steel handle	1	DD11 (EN10111)
Dipped coating	1	PVC

<b>Full port</b>	<b>1/4"÷3/8"</b>	<b>1/2"</b>
<b>Standard port</b>	<b>1/4"÷3/8"</b>	<b>1/2"÷3/4"</b>
<b>A (inch)</b>	3.94	3.94
<b>Black</b>	<b>Code</b>	PLFN10
		PLFN10

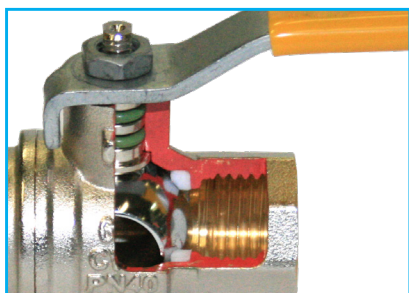
The left handles are the solution where the valves are installed on a parallel piping system.

# Geomet® carbon steel 90° reverse lever



<b>Full port</b>	<b>1/2"</b>	
<b>Standard port</b>	<b>1/2"÷3/4"</b>	
<b>A (inch)</b>		3.94
<b>Yellow</b>	<b>Code</b>	PLIG03
<b>Light Blue</b>	<b>Code</b>	PLIA03
<b>Light Blue SX</b>	<b>Code</b>	PLIA00

Description	Q.ty	Material
Geomet® plated steel handle	1	DD11 (EN10111)
Dipped coating	1	PVC



We have also reversed handle: in this version the handle is parallel to the pipe when the valve is closed and perpendicular when the valve is open. This option is available only in the small size for valves up to 1/2" (or 3/4" for reduced bore)

Stem flats show actual ball position

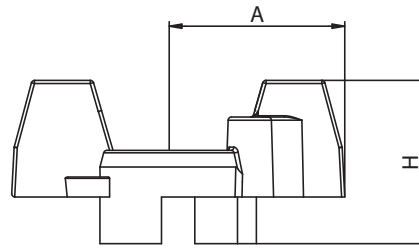
# Aluminum - brass - Geomet® carbon steel T-handle



Corrosion is a big problem that many have to face when using valves in underground or outdoor installations, especially near sea, or when valves are used in swimming pools (chlorine), trucks or fire-fighting equipment.

Most people understand that brass components performance are quite high, while the problem with a ball valve may arise from a component you would have never thought about: the aluminum T-handle.

To benefit of brass resistance to corrosion, **RuB** has developed brass T-handles.



Full port	1/4"÷3/8"	1/2"	3/4÷1"
Standard port	1/4"÷3/8"	1/2"÷3/4"	1"÷1 1/4"
A (inch)	0.98	0.98	1.18
H (inch)	0.98	0.98	1.10
Red	Code PFAR03	PFAR03	PFAR06
Yellow	Code PFAG03	PFAG03	PFAG06
Light Blue	Code PFAB03	PFAB03	PFAB06
Green	Code PFAV03	PFAV03	PFAV06

Description	Q.ty	Material
T-handle	1	EN AC- 46100

Full port	1 1/4"÷2"
Standard port	1 1/2"÷2 1/2"
A (inch)	2.24
H (inch)	2.01
Red	Code PFFR09
Yellow	Code PFFG09
Light Blue	Code PFFA09
Green	Code PFFV09
Brass unplated	Code --
Brass nickel plated	Code --

Description	Q.ty	Material
Geomet® plated steel T-handle	1	DD11 (EN10111)
Dipped coating	1	PVC

Full port	1/4"÷3/8"	1/2"	3/4÷1"
Standard port	1/4"÷3/8"	1/2"÷3/4"	1"÷1 1/4"
A (inch)	0.98	0.98	1.18
H (inch)	0.98	0.98	1.10
Brass unplated	Code PFOG03	PFOG03	PFOG06
Brass nickel plated	Code PFON03	PFON03	PFON06

Description	Q.ty	Material
Unplated brass T-handle	1	CW617N
Nickel plated brass T-handle	1	CW617N

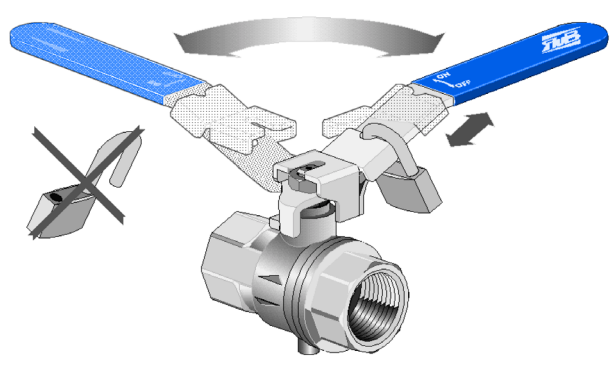


# Patented lockable handle

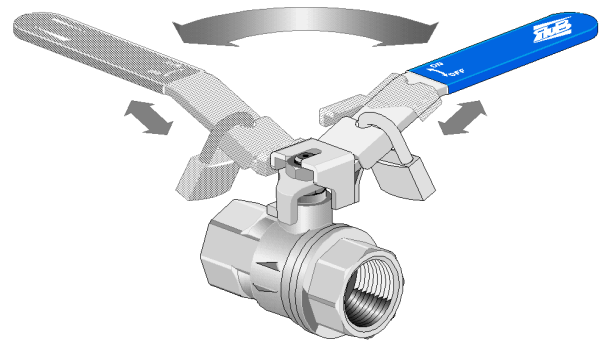
for *RuB* manual ball valves



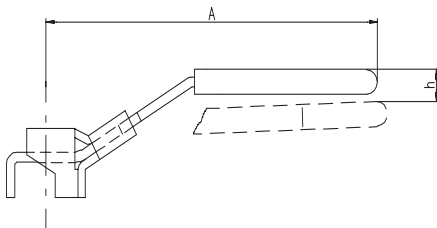
The *RuB* lockable handle is made of strong Geomet® carbon steel and designed to discourage tampering. The *RuB* locking device covers the top nut of the valve making padlock removal impossible without a key. Easy to install on valves in the field, the *RuB* lockable handle will lock s.93 *RuB* valves in closed position only in compliance with OSHA (USA) safety requirements, while other *RuB* valves can be locked in both the open and closed positions.



Lockable only in closed position when assembled on s.93 *RuB* range



Lockable in both open and closed positions when assemble on any other *RuB* range



Code	PBFA13	PBFA16	PBFA19	PBFA20
Full port	1/4"÷3/8"÷1/2"	3/4"÷ 1"	1 1/4"÷1 1/2" ÷2"	2 1/2"÷3"÷4"
Reduced port	1/2"÷3/4"	1"÷1 1/4"	1 1/2"÷2"÷2 1/2"	3"÷4"
A (inch)	3.78	4.61	6.16	9.84
h (inch)	0.33	0.37	0.16	0.31

Description	Q.ty	Material
Geomet® plated steel handle	1	DD11 (EN10111)
Dipped coating	1	PVC

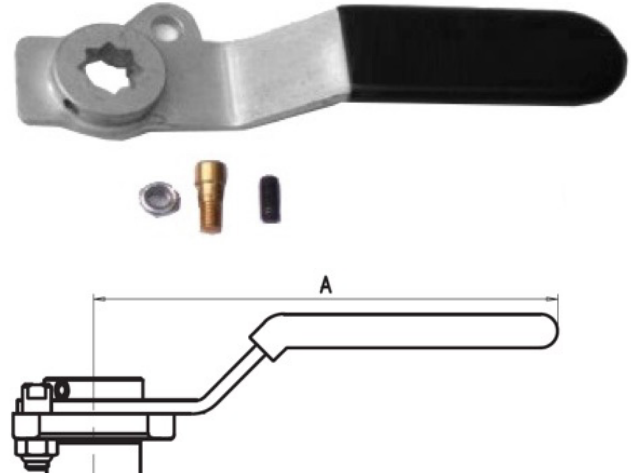
Dimension A shows handle length from center of stem; dimension h shows height of handle compared to standard handle assembled on valves. Two bottom lines show size of valve to fit wish each size of lockable handle. Use 9/32" size shackle padlock up to 2", and 5/16" over.

# Lockable handle

for 3-way ball valves series s.76 (L-port) and s.64/T.264 with ISO5211 F03 or F05 flange

Flange Size		F03	F05
A (inch)		4.05	5.67
Black	Code	SLFD03	SLFD05

Description	Q.ty	Material
Geomet® plated steel handle	1	DD11 (EN10111)
Dipped coating	1	PVC
Stainless steel screw	1	AISI 304
Zinc plated steel nut	1	Class 8 (UNI7474)
Unplated stop	1	CW617N



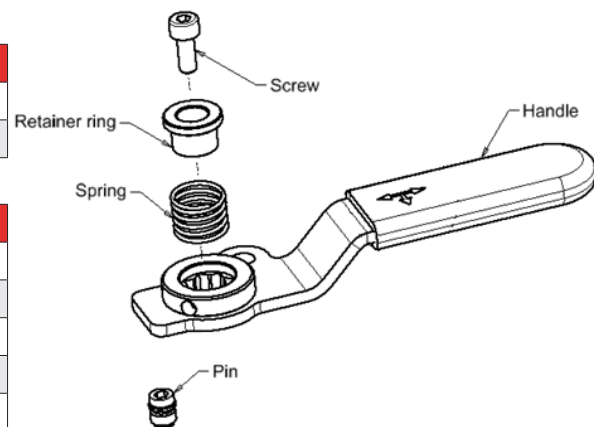
This kit easily converts an actuated valve to a manual one. To lock valve in any position, use 4mm (5/32" ) shackle padlock.

# Lockable push & turn handle

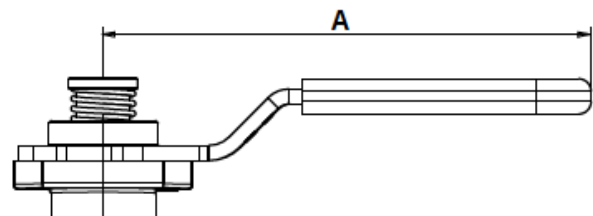
for 3-way ball valves series s.73 (T-port) with ISO5211 F03 flange

Flange Size		F03
A (inch)		4.05
Black	Code	K73N13

Description	Q.ty	Material
Geomet® plated steel handle	1	DD11 (EN10111)
Dipped coating	1	PVC
Screw	1	AISI 304
Retainer ring	1	CW617N
Spring	1	AISI 302
Pin	1	CW617N



To lock valve in any position, use 4mm (5/32" ) shackle padlock.





# Oval lockable handle

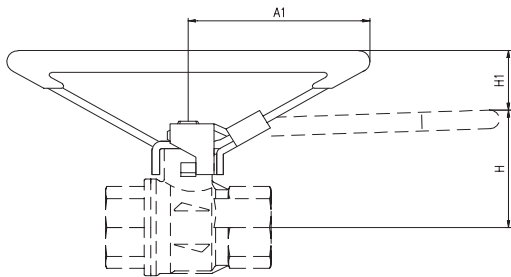
for *RuB* manual ball valves



**PATENTED**

The *RuB* oval/round lockable handle is for service where there isn't enough space for levers or T-handles, or where lever handles might be moved unintentionally. It is made of steady carbon steel and it features the patented *RuB* lockable device.

The *RuB* oval lockable handle is available for all sizes of forged *RuB* valves up to 2" and in round shape for sizes 2 ½" thru 4"; it is easy to install on valves in the field or you can simply order your *RuB* valves with this option.



Code	PBOA03	PBOA06	PBOA09	PBOA10	
Size	1/4"÷3/8"	1/2"	3/4"÷1"	1 ¼"÷1 ½"÷2"	2 ½"÷3"÷4"
A1 (inch)	2.28	2.28	2.76	2.76	6.10
H1 (inch)	0.79	0.77	0.87	0.59	0.13

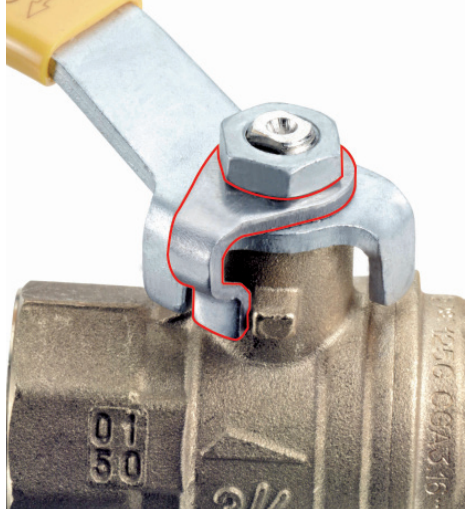
Size	1/4"÷ 2"	2 ½"÷ 4"
Locker shackle	9/32"	5/16"

Description	Q.ty	Material
Geomet® plated steel handle	1	DD11 (EN10111)
Dipped coating	1	PVC

Dimension A1 shows handle dimension from centre of stem. Dimension H1 shows height of handle compared to standard handle assembled on valves.

# Memory stop

Use together with **RuB** stubby handles with knurling

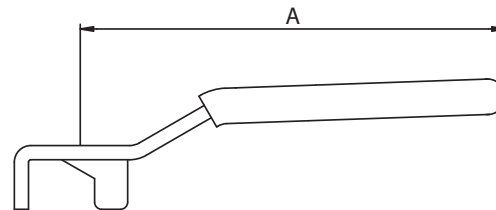


Full port valve	1/4"±3/8"	1/2"	3/4±1"	1 1/4"±2"
Standard port valve	1/4"±3/8"	1/2"±3/4"	1"±1 1/4"	1 1/2"±2 1/2"
Code	PPMA03	PPMA03	PPMA06	PPMA09

Description	Q.ty	Material
Geomet® plated steel memory stop	1	DD11 (EN10111)

Memory Stop allows to control flow passing through the valve by curbing ball movement from fully closed to a preset position. Installing a memory stop on a standard **RuB** valve is very easy and can be done even while valve is being used. Memory stops should be used only with **RuB** valves with O-Ring stem design

# Geomet® carbon steel stubby handle



Full port valve	1/4"±3/8"	1/2"	3/4±1"	1 1/4"±2"	
Standard port valve	1/4"±3/8"	1/2"±3/4"	1"±1 1/4"	1 1/2"±2 1/2"	
A (inch)	1.77	1.77	3.54	3.94	
Yellow	Code	PLTG13	PLTG13	PLTG16	PLTG19

Description	Q.ty	Material
Geomet® plated steel handle	1	DD11 (EN10111)
Dipped coating	1	PVC

**RuB** levers are not only strong, but also long for easy maneuver. To solve space constraints issues, install our stubbies.



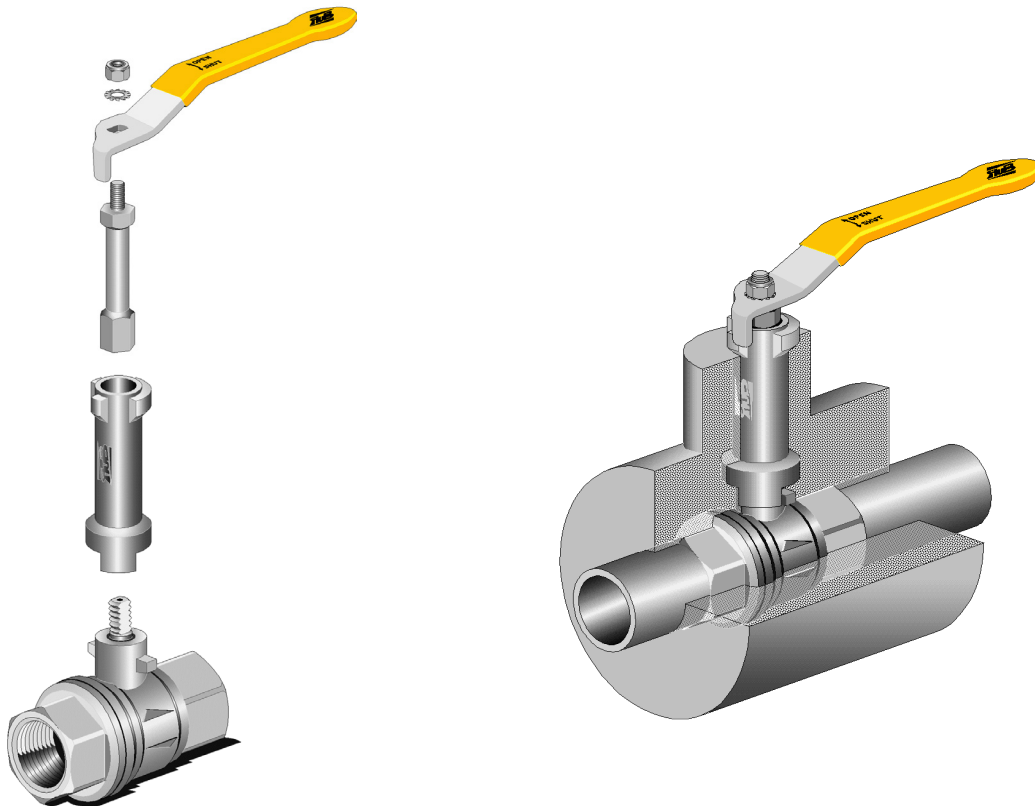
# Stem Extension

for *RuB* ball valves with O-ring stem design



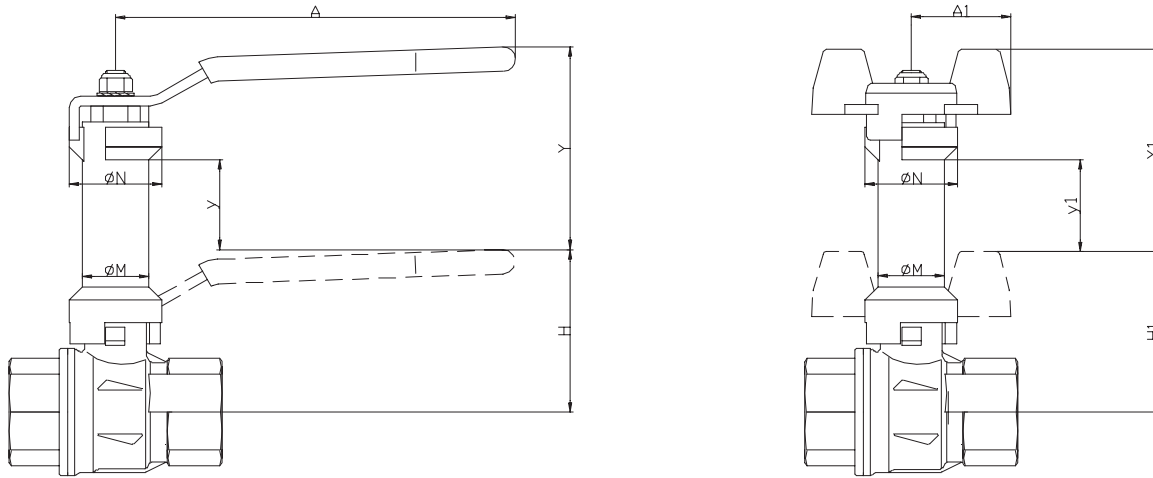
Today's world is conscious of the energy savings required to maintain resources for the future. To avoid heat loss from insulated pipes, **RuB** offers stem extensions which provide easy operation over insulation.

**RuB** stem extensions are made of strong hot forged brass and are designed for low heat losses from the pipe to the ambient environment. They are easy to install on **RuB** valves even while valves are in service.





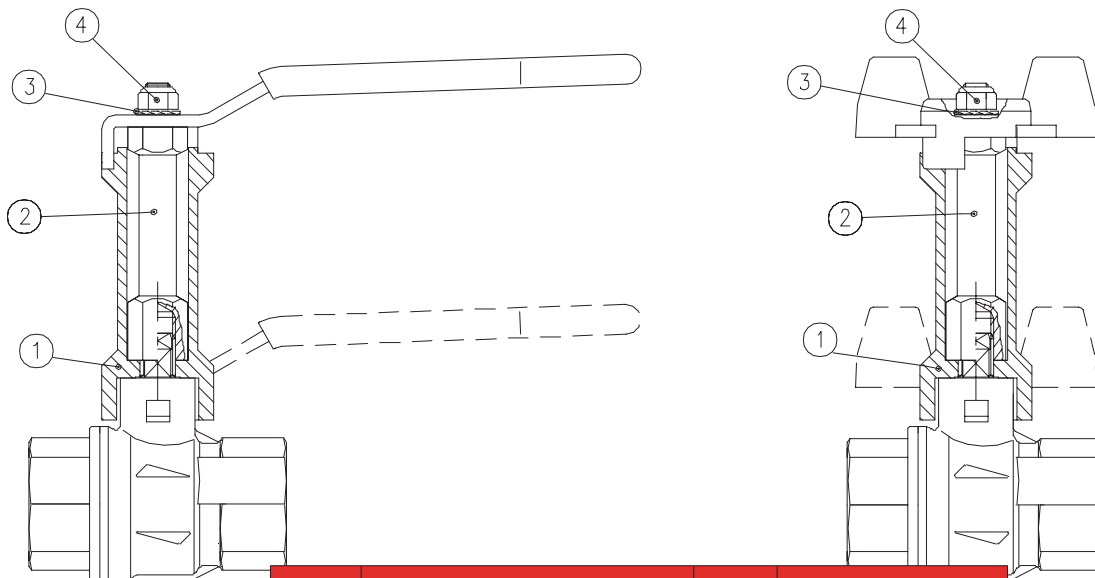
Each user should perform his own tests to find out the suitability for his particular application. RuB, Inc makes no warranty, express or implied, as to the shape, fit or function of a product for any application. Contact us or consult with your supplier for additional information on the suitability of the RuB, Inc products with your specific field of use.



Dimensions Y, y, Y1 and y1 are additional to dimension H on the relevant valve drawing

Code	PPRO03		PPRO06	PPRO09
Full port valve	1/4"÷3/8"	1/2"	3/4"÷1"	1 1/4"÷1 1/2"÷2"
Reduced port valve	1/2"÷3/4"		1"÷1 1/4"	1 1/2"÷2"÷2 1/2"
M (inch)	0.67		0.79	1.02
N (inch)	0.98		1.10	1.42
A (inch)	3.23	3.94	4.72	6.22
Y (inch)	2.22		2.46	2.66
y (inch)	1.04		1.08	0.81
A1 (inch)	0.98		1.18	--
Y1 (inch)	2.22		2.46	--
y1 (inch)	1.00	1.02	1.20	--

**Note:** Stem extensions should not be used on valves with packing gland designs due to regular required maintenance adjustments.



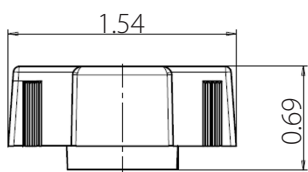
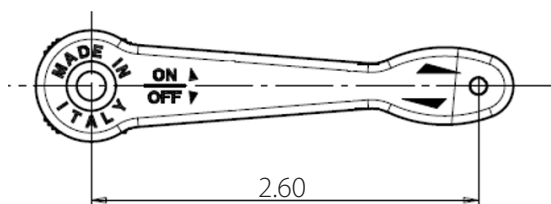
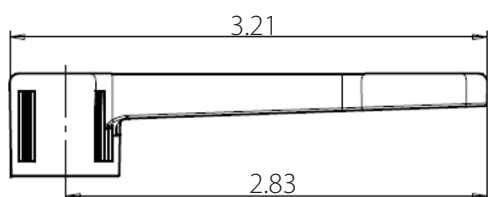
Item	Description	Q.ty	Material
1	Body	1	CW617N
2	Connection	1	CW617N
3	Tab washer	1	Steel
4	Self-locking nut	1	Steel

# Accessories

to mini and micro ball valves

## Nylon lever and T-handle

for s.34



Item No	Description	Colour
PLNB34	Blue nylon lever for s.34	RAL5017
PLNG34	Yellow nylon lever for s.34	RAL1028
PLNN34	Black nylon lever for s.34	RAL9005
PLNR34	Red nylon lever for s.34	RAL3000

Description	Q.ty	Material
Lever for s.34	1	Nylon glass filled 30%

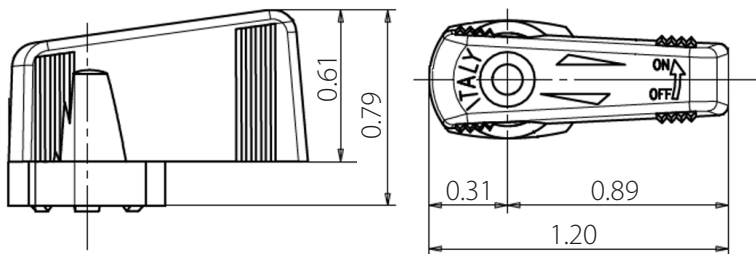
Item No	Description	Colour
PFNA34	Orange nylon T-handle for s.34	RAL2009
PFNB34	Blue nylon T-handle for s.34	RAL5017
PFNG34	Yellow nylon T-handle for s.34	RAL1028
PFNN34	Black nylon T-handle for s.34	RAL9005
PFNR34	Red nylon T-handle for s.34	RAL3000

Description	Q.ty	Material
T-handle for s.34	1	Nylon glass filled 30%



# Nylon wedge handle

for s.35

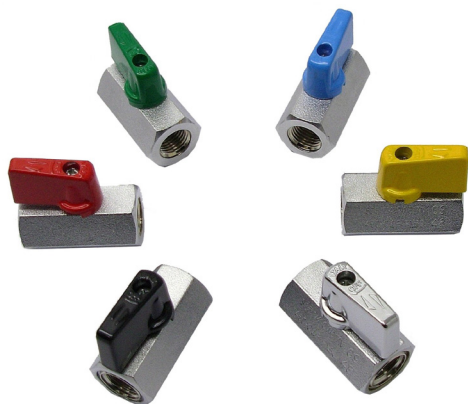


Item No	Description	Colour
PLN35G	Yellow nylon wedge handle for s.35	RAL1028
PLN35N	Black nylon wedge handle for s.35	RAL9005
PLN35R	Red nylon wedge handle for s.35	RAL3000
PLN35V	Green nylon wedge handle for s.35	RAL6001
PLG35N (Upon request)	Grey Grivory® wedge handle for s.35	RAL7012

Description	Q.ty	Material
Wedge handle for s.35	1	Nylon glass filled 30%

# Metal wedge handle

for s.35



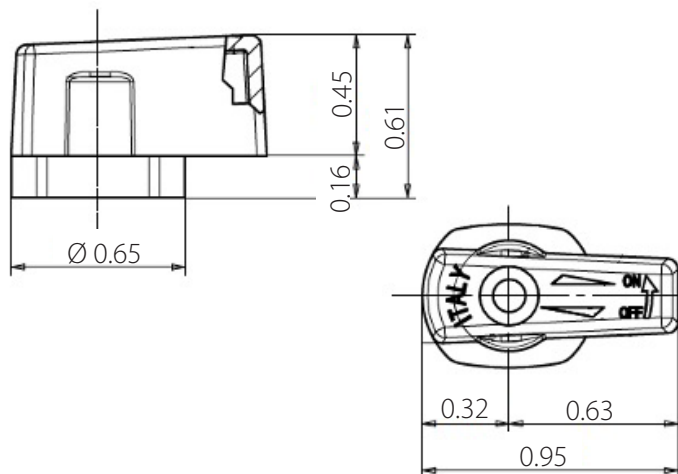
Colours	Yellow	Blue	Black	Red	Green	Chrome
Code	PLZ35G	PLZ35B	PLZ35N	PLZ35R	PLZ35V	PLZ35C

Description	Q.ty	Material
Metal wedge handle for s.35	1	ZAMA Z5

Thanks to the metal wedge handles mounted on s35 series, it's now possible to reach working temperatures up to 120°C (250°F). The metal wedge handles are available in red, black, yellow, green, light blue and chrome plated. Same dimensions as nylon wedge handle.

# Nylon wedge handle

for s.39 micro



Item No	Description	Colour
PLN39N	Black nylon wedge handle for s.39	RAL9005

Description	Q.ty	Material
Wedge handle for s.39	1	Nylon glass filled 30%



# Limit Switch box



## FEATURES AND SPECIFICATIONS:

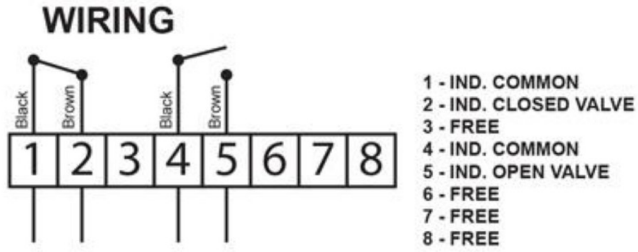
- Enclosure: waterproof IP67, O-ring sealed
- Material: aluminum, polyester coated
- Ambient temperature: -4°F ~ +176°F (-20°C ~ +80°C)
- Switch cams: adjustable, preset for 90°
- Cable entries: 2xM20x1.5
- Terminal block: 8 pos of terminal strips (6 for switches, 2 for solenoid valve power)
- Position indicator: dome type 0° ~ 90°
- Mounting bracket: stainless steel acc. to VDI/VDE3845, NAMUR
- Mechanical switches: 2 pcs. max 250V AC 16A, 125 V DC 0.6A

# LIMIT SWITCH BOX XCESLSE - 5466

Each user should perform his own tests to find out the suitability for his particular application. RuB, Inc makes no warranty, express or implied, as to the shape, fit or function of a product for any application. Contact us or consult with your supplier for additional information on the suitability of the RuB, Inc products with your specific field of use.

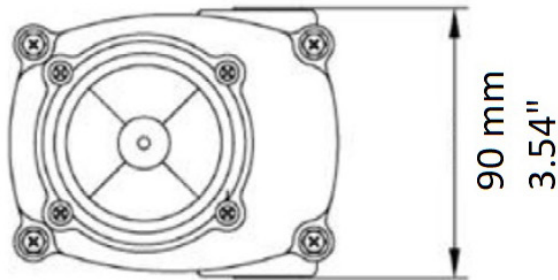


ACCESSORIES



## DIMENSIONS :

Dimensions are in mm/inch



110 mm  
4.33"

